

Installation

guidelines

ACO Industrial
Building Drainage



1

ACO point drainage

ACO point drainage with two layers of concrete 04

ACO point drainage with two layers of concrete
and thermal insulation 05

2

ACO line drainage

ACO line drainage with one layer of concrete 06

ACO line drainage with two layers of concrete
and waterproof insulation 07

ACO line drainage with two layers of concrete
and waterproof and thermal insulations 08

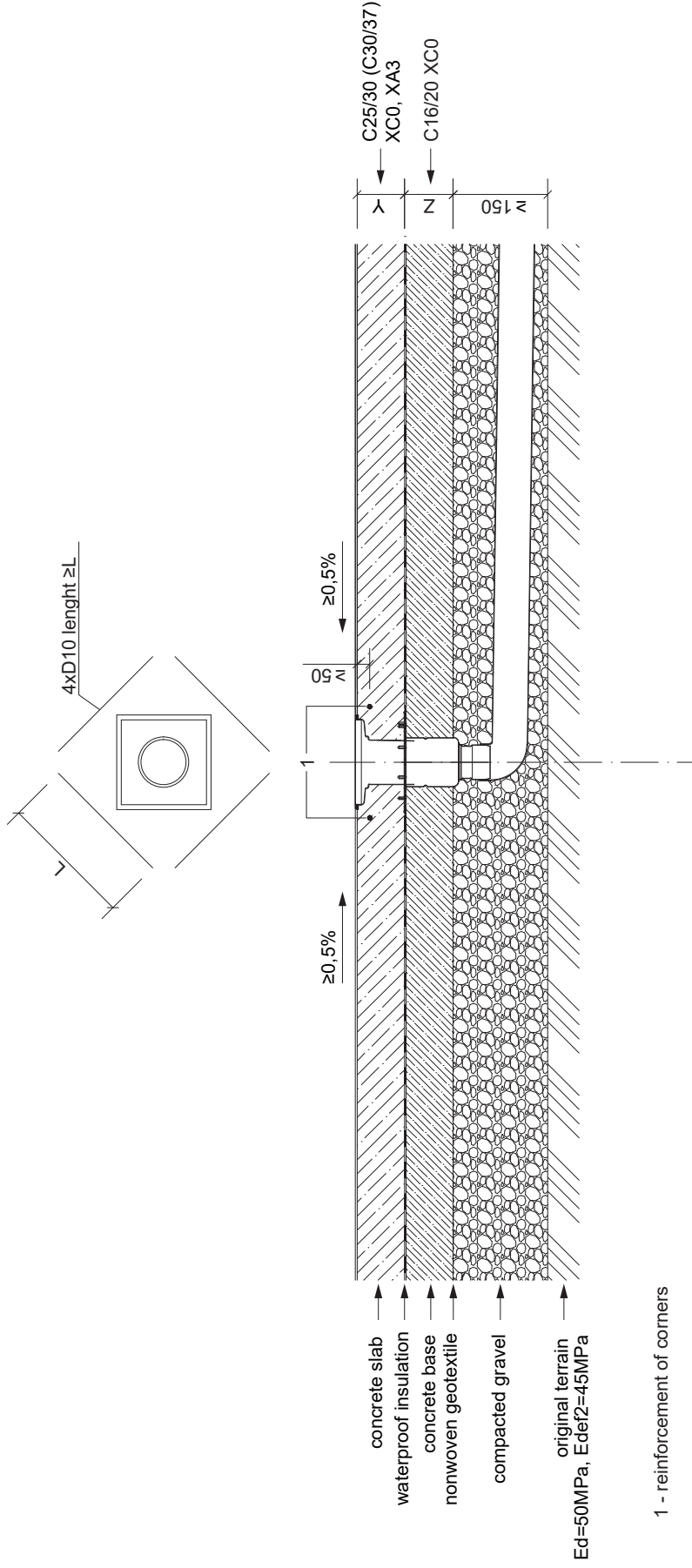
3

Floor-drainage connection

Research 09

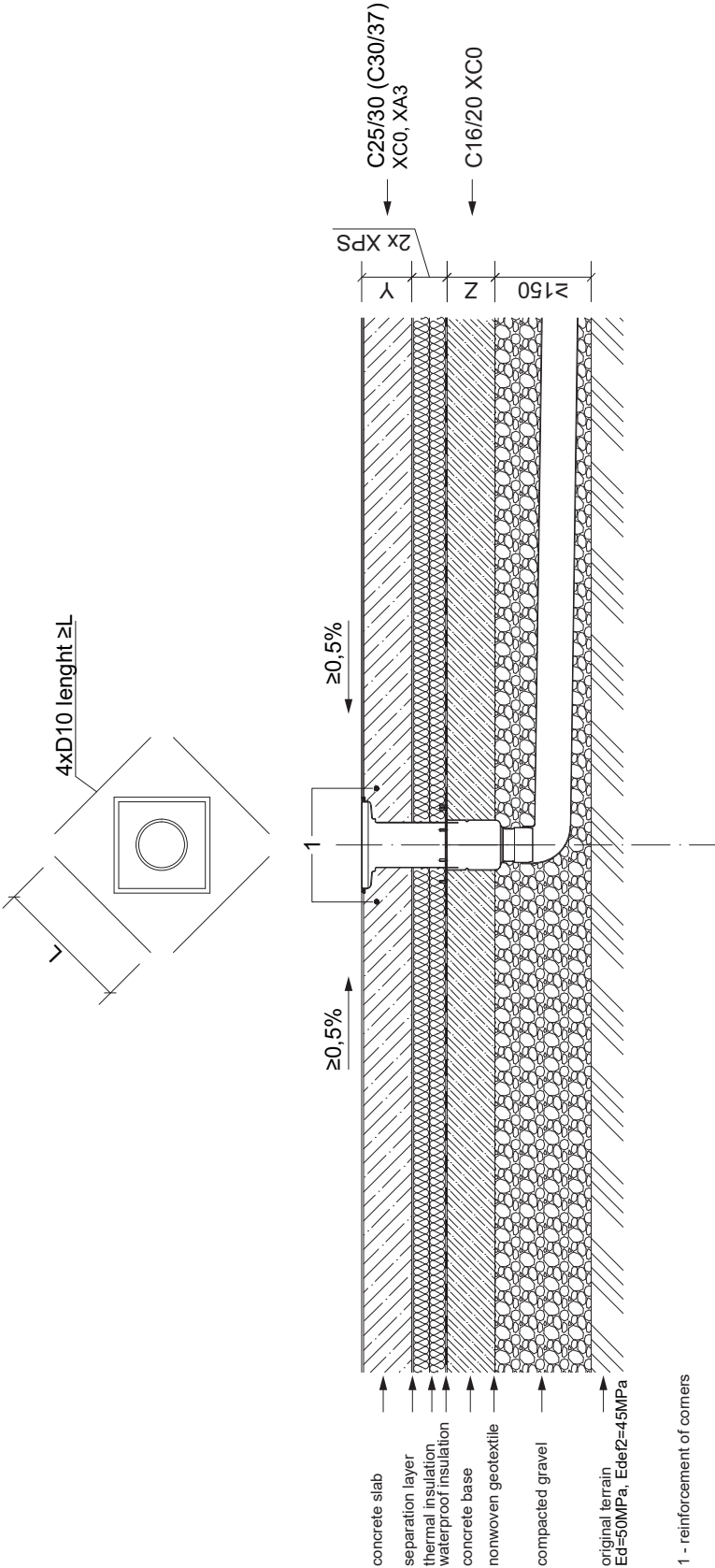
ACO stainless steel point drainage

Point drainage with two layers of concrete



The thicknesses of the individual layers and the composition of the floor must follow the design documentation and based on the static assessment. The proposed solution is only illustrative and in case of use it must be consulted by the designer or structural engineer. Internal drainage installation manuals are available at www.buildingdrainage.aco. The load classes of the drainage grates must correspond to the load classes of the floor construction.

Point drainage with two layers of concrete and thermal insulation

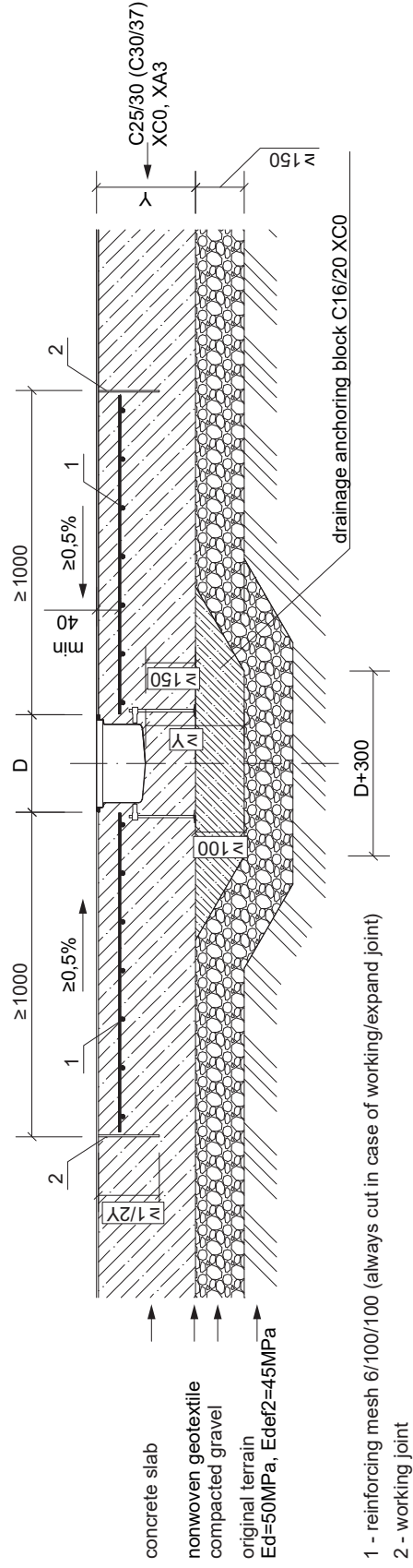


The thicknesses of the individual layers and the composition of the floor must follow the design documentation and based on the static assessment. The proposed solution is only illustrative and in case of use it must be consulted by the designer or structural engineer. Internal drainage installation manuals are available at www.buildingdrainage.aco

The load classes of the drainage grates must correspond to the load classes of the floor construction.

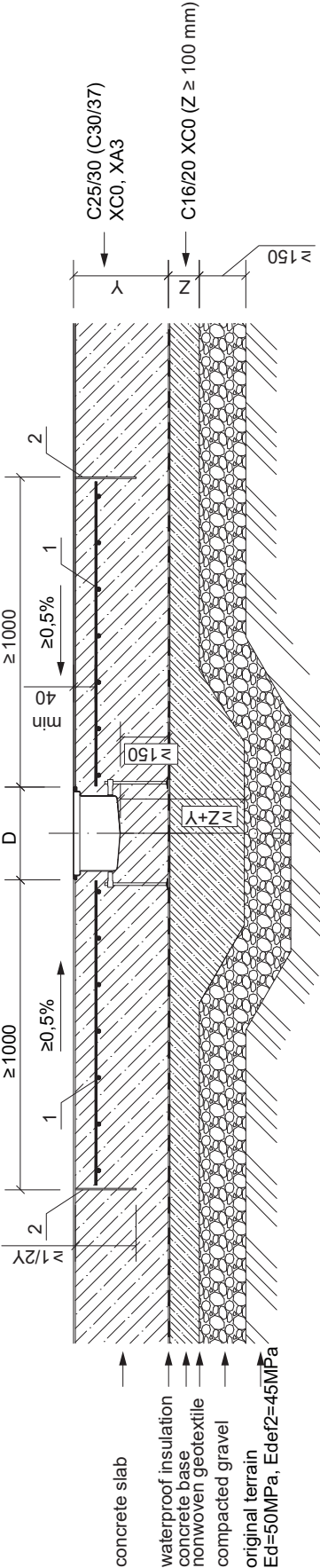
ACO stainless steel line drainage

Line drainage with one layer of concrete



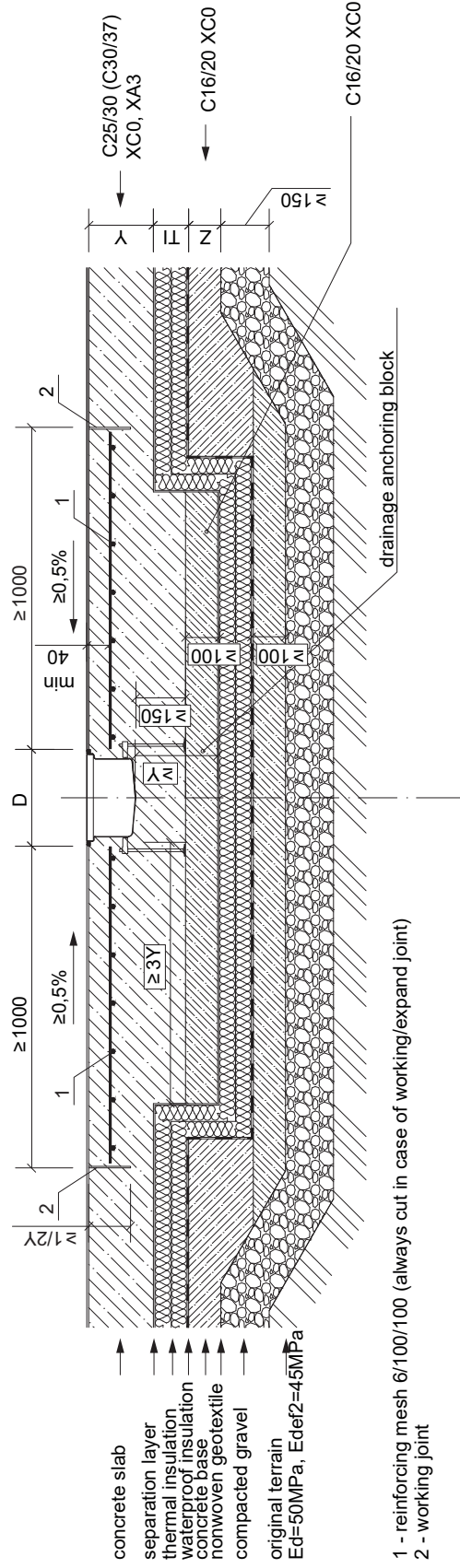
The thicknesses of the individual layers and the composition of the floor must follow the design documentation and based on the static assessment.
 The proposed solution is only illustrative and in case of use it must be consulted by the designer or structural engineer.
 Internal drainage installation manuals are available at www.buildingdrainage.aco
 The load classes of the drainage grates must correspond to the load classes of the floor construction.

Line drainage with two layers of concrete and waterproof insulation



The thicknesses of the individual layers and the composition of the floor must follow the design documentation and based on the static assessment. The proposed solution is only illustrative and in case of use it must be consulted by the designer or structural engineer. Internal drainage installation manuals are available at www.buildingdrainage.aco. The load classes of the drainage grates must correspond to the load classes of the floor construction.

Line drainage with two layers of concrete and waterproof and thermal insulations



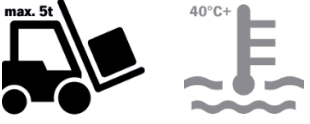
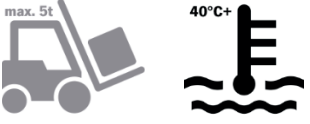
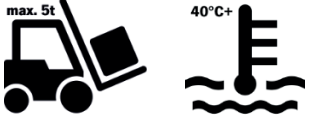
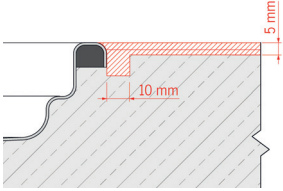
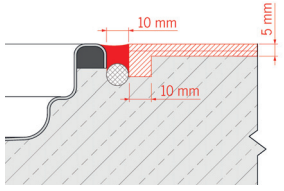
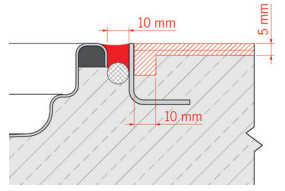
The thicknesses of the individual layers and the composition of the floor must follow the design documentation and based on the static assessment. The proposed solution is only illustrative and in case of use it must be consulted by the designer or structural engineer. Internal drainage installation manuals are available at www.buildingdrainage.aco. The load classes of the drainage grates must correspond to the load classes of the floor construction.

Floor-drainage connection

Research

ACO as a leader in the development and manufacture of hygienic drainage systems, joined forces with flooring companies and adopted a professional and scientific approach to this issue. A three year study and research program was commissioned to provide a clear evidence-based guidance with regard to flooring-drainage connections for factory and processing facility operators.

Choosing the right type of systems with respect to operating conditions and site traffic has always been a challenge and is turning out to be one of the main key topics we review when undertaking a drainage assessment.

Floor type	Resistance to exposure scenario		
			
	<p>Standard edge connected directly to the floor</p> <ul style="list-style-type: none"> ■ Resistant to dynamic stress (thermal load < +40°C) ■ For areas with frequent heavy traffic <p>Typical applications</p> <ul style="list-style-type: none"> ■ Warehouse ■ Corridors 	<p>Standard edge connected to the floor with flexible joint</p> <ul style="list-style-type: none"> ■ Resilient to temperature extremes caused by alternating hot and cold water <p>Typical applications</p> <ul style="list-style-type: none"> ■ Cleaning in place (CIP) ■ Kitchen 	<p>L-profile edge</p> <ul style="list-style-type: none"> ■ Resistant to both thermal and dynamic shocks <p>Typical applications</p> <ul style="list-style-type: none"> ■ Beverage production ■ Packaging plant ■ Bottle washing plant
Resin floor			

The results are according to a floor to drain connection testing carried out by ACO and flooring companies

ACO Industries k.s.

Havlíčková 260
582 22 Přebyslav
Czech Republic

www.buildingdrainage.aco

**ACO. creating
the future of drainage**

