

Separators for

below ground installation

Rotomoulded tank system



ACO Grease, starch and light liquid separators for below ground installation

Commercial operations generating wastewater must implement appropriate measures, by using suitable pre-treatment installations like separators, to ensure that solids and liquids which can give off toxic and unpleasant vapours and odours are prevented from damaging construction materials and drainage facilities, harming operations, and are held back so that they do not enter sewage pipes.



LipuMax P-D

Medium cleaning and disposal comfort

Page 25



FapuMax P-DA

Premium cleaning and disposal comfort

Page 35



Sludge Trap P

ACO Sludge Traps P-SD

Page 47



Oleopass P

ACO Light liquid separator
Oleopator P – Class I

Page 40



General information 04

Grease separators

| | |
|---|----|
| LipuLift-P | 10 |
| LipuLift-PF | 14 |
| LipuMax-P-H | 18 |
| LipuMax-PF-H | 21 |
| LipuMax P-SD | 24 |
| LipuMax P-B Basic Model | 27 |
| LipuMax P-B Extension Stage 1 | 28 |
| LipuMax P-DM Extension Stage 2 | 29 |
| LipuMax P-DA Extension Stage 3 | 30 |
| LipuMax P-DAP Extension stage 3 with disposal pump | 31 |
| Top Sections | 32 |

Starch separators

| | |
|--------------------------------|----|
| FapuMax P-B Basic Model | 33 |
| FapuMax P-DA Extension Stage 3 | 34 |
| Top Sections | 35 |

Light liquid separators

| | |
|--------------------------------|----|
| Oleopator P-SD | 38 |
| Oleopass P-SD | 39 |
| Oleopator P Class I | 41 |
| Oleopass P Class I with bypass | 42 |
| Top Sections | 43 |

Sludge traps

| | |
|------------------|----|
| Sludge Trap P-SD | 46 |
| Sludge Trap P | 48 |
| Top Sections | 49 |

Accessories 51

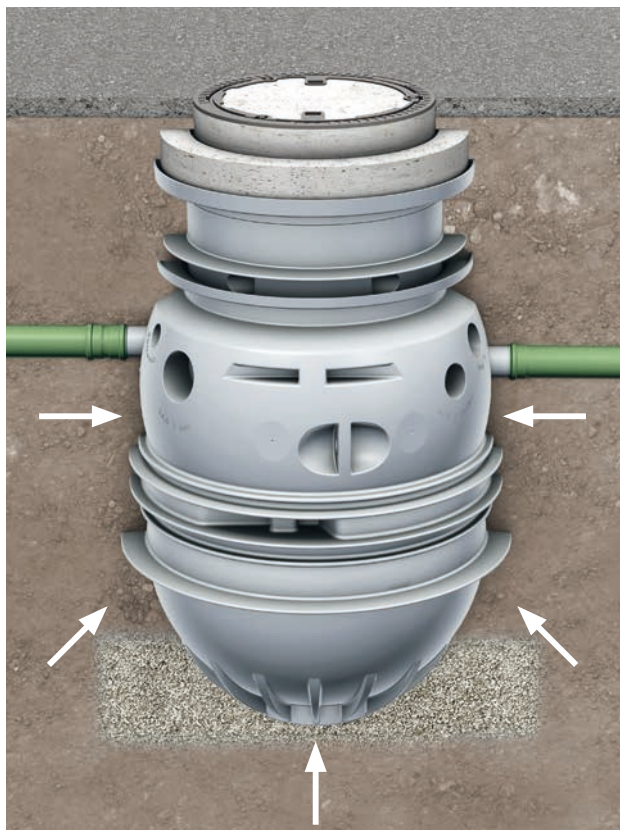
The rotomoulded tank system

Quality standards and tests

All ACO Grease separators are manufactured in accordance with EN 1825, all ACO Light liquid separators are manufactured in accordance with EN 858. All the separators in the range are hydraulically tested and have General Building Supervisory Authority Authorisation and/or the new application authorisation from DIBT Berlin.



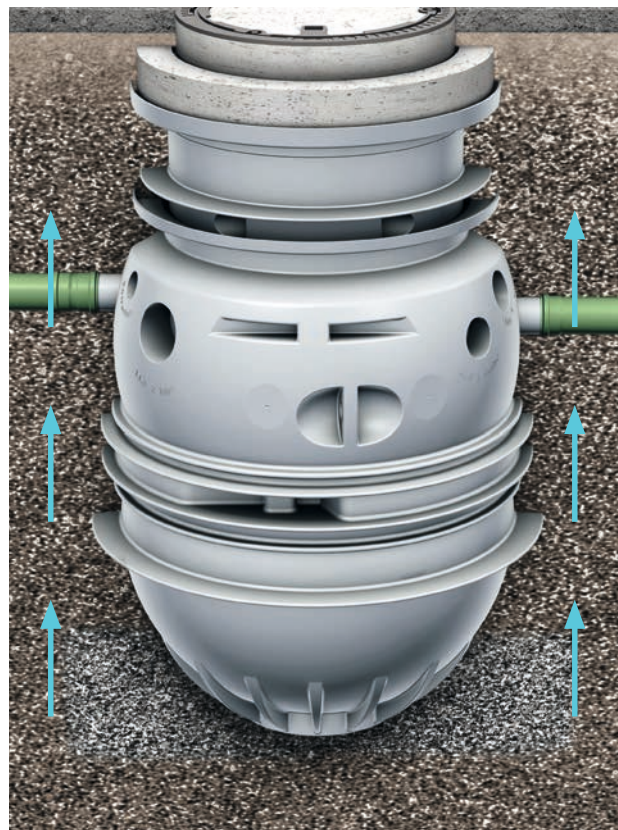
Structural stability



Product stability guaranteed for 50 years

- Certified statics have been calculated for the tank system
- The tank system supplies structural stability for 50 years

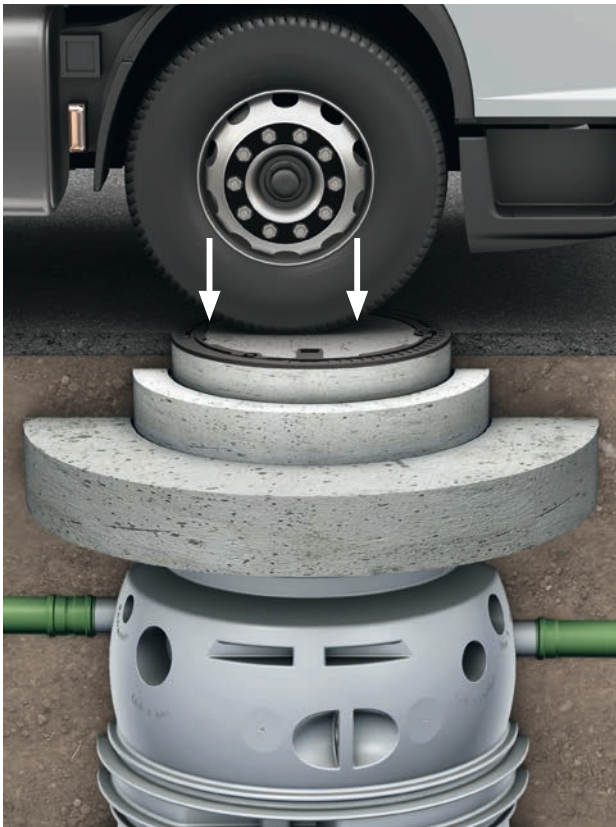
Protection against upwelling



Protection against ground water

- Depending on the maximum allowed inlet invert and the load class applied, the separators can be installed in areas with groundwater without additional concrete castings

Available for load class A, B or D



Flexible application

- Load class A15
- Load class B125
- Load class D400

Selecting the correct separator



When do grease separators have to be used?

Operations generating greasy wastewater have a mandatory obligation to install EN 1825 type grease separators to ensure that grease and organic oil is effectively removed from the wastewater. This applies for instance to kitchens and meat-processing operations. It is mandatory for every grease separator installed below the backflow level (usually corresponding to street level) to have a downstream twin lifting plant or complete pumping station. Each industry and commercial operation places individual demands on the capacity of grease separators, lifting plant and complete piping stations. Customisation therefore requires adaptable products in a wide range of sizes and materials. ACO has many decades of experience in supplying the most diverse range of grease separators, lifting plants and complete pumping stations for ground installation and free-standing installation.



When do light liquid separators have to be used?

The use of light liquid separators is stipulated by the regulations in DIN 1986-100, Section 6.2.3: "If petroleum or light oils, especially those that are combustible or can form explosive atmospheres, enter the sewers, separator systems for light oils must be used downstream of the discharge points." Discharging petroleum and light oils into public sewers can cause groundwater and drinking water contamination, and in serious cases, cause extensive environmental damage to flora and fauna. The solution to this problem is a light oil separator. Any light oil in the wastewater is collected in a separator tank and prevented from being discharged from the separator. The discharge outlet closes automatically when the maximum storage capacity has been reached. The light oil which collects in the separator is disposed of by certified recycling companies at regular intervals.

ACO Grease separator series LipuMax P

from polyethylene

LOW cleaning and disposal comfort



LipuMax P-B / P-SD disposal and cleaning via cover

Since disposal has to be done via the open manhole cover, it is recommended to install the grease separators in areas where the occurrence of stench does not pose inconveniences to the surroundings.

MEDIUM cleaning and disposal comfort



LipuMax P-D disposal with direct suction, cleaning via cover

It is possible to install a suction line DN 65 and an appropriate coupling on site. LipuMax P-D grease separator with direct suction extraction is ideal for installation in areas where disposal via the manhole cover is not possible, in pedestrian zones or outdoor catering areas for instance.

HIGH cleaning and disposal comfort



LipuMax P-DM disposal with direct suction and cleaning with integrated spray head (manual control)

It is possible to install a suction line DN 65 and an appropriate coupling on site. The integrated high-pressure cleaning unit has to be operated manually and connected to a cold water supply.

Disposal and cleaning of the separator is accomplished via the direct suction and the high-pressure cleaning. Therefore, for disposal the cover has not to be removed. After the disposal and the cleaning, the separator is refilled manually via the filling device. outdoor catering areas for instance.

PREMIUM cleaning and disposal comfort




LipuMax P-DA disposal with direct suction and cleaning with integrated spray head (automatic control)

It is possible to install a suction line DN 65 and an appropriate coupling on site. The integrated high-pressure cleaning unit has to be connected to a cold water supply and is automatically operated.

Disposal and cleaning of the separator is accomplished automatically by using a remote control via the direct suction and the high-pressure cleaning. Therefore, for disposal the cover has not to be removed. After the disposal and the cleaning, the separator is refilled automatically via the filling device which has to be connected to a cold water supply.

ACO Starch Separator series FapuMax P


from polyethylene



LOW cleaning and disposal comfort

FapuMax P-B disposal and cleaning via cover

Since disposal has to be done via the open manhole cover, it is recommended to install the starch separators in areas where the occurrence of stench does not pose inconveniences to the surroundings. The spray shower head serves to rinse off the starch.



PREMIUM cleaning and disposal comfort

FapuMax P-DA disposal with direct suction and cleaning with integrated spray head (automatic control)

It is possible to install a suction line DN 65 and an appropriate coupling on site. The integrated high-pressure cleaning unit has to be connected to a cold water supply and is automatically operated. The spray shower head serves to rinse off the starch. The spray shower head serves to rinse off the starch. Disposal and cleaning of the separator is accomplished automatically by using a remote control via the direct suction and the high-pressure cleaning. Therefore, for disposal the cover has not to be removed. After the disposal and cleaning, the separator is refilled automatically via the filling device which has to be connected to an cold water supply.

ACO Light Liquid Separator series Oleopator P and Oleopass P

from polyethylene



Oleopator P / P-SD – Class I

Oleopator P Class I light liquids separators are designed for ground installation outside of buildings, to treat waste water from industrial processes or oil contaminated rainwater from impervious areas or to retain any spillage of light liquid and to protect surrounding areas. Depending on the load class and nominal size, the inlet invert varies between 450 – 2,000 mm. Light liquid separators can be equipped with top sections for the load classes A 15, B 125 or D 400 according EN 124.



Oleopass P / P-SD – Class I with bypass

Oleopass P Class I light liquid separators with bypass are designed for ground installation outside of buildings, to treat oil contaminated rainwater from impervious areas or to retain any spillage of light liquid and to protect surrounding areas. It is not possible to use the separators with bypass to treat waste water from industrial processes, vehicle washing, cleansing of oil covered parts or other sources, e.g. petrol stations. Depending on the load class and nominal size, the inlet invert varies between 450 – 2,000 mm. Light liquid separators can be equipped with top sections for the load classes A 15, B 125 or D 400 according EN 124.

ACO Sludge Trap series

from polyethylene



Sludge Trap P / P-SD

Sedimentation tanks are designed for ground installation outside of buildings, to treat polluted wastewater with huge contents of solids before the light liquid separator.

Depending on the load class and total volume, the inlet invert varies between 415 – 2,000 mm.

ACO Grease Separator LipuLift-P

Standard Version, inlet inverts: depending on load classes and Nominal Sizes

Product information

Grease separator according to EN 1825-1 made of polyethylene for underground installation with integrated dual pumping station according to EN 12050

Two dome openings, each for receiving support rings and manhole covers for inlet inverts:

- 850 mm – 1,125 mm (NS 4, load class A)
- 875 mm – 1,150 mm (NS 7/10, load class A)
- 885 mm – 1,125 mm (NS 4, load class B/D)
- 910 mm – 1,150 mm (NS 7/10, load class B/D)

Integrated pumping station according to EN 12050, accessible via the manhole cover

- Pressure connection: 2" - OD Ø 63 mm (PE pipe)
- Ball backflow preventer
- Voltage: 400 V, 50 Hz, speed: 2,900 rpm
- Protection class IP 68; Operating mode: S1

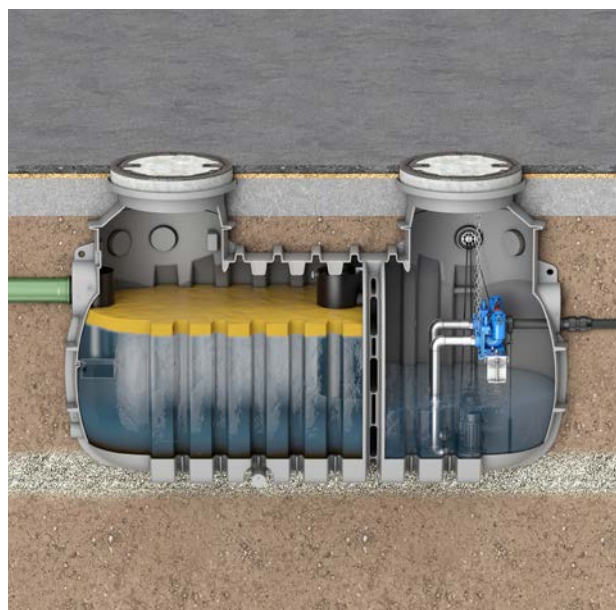
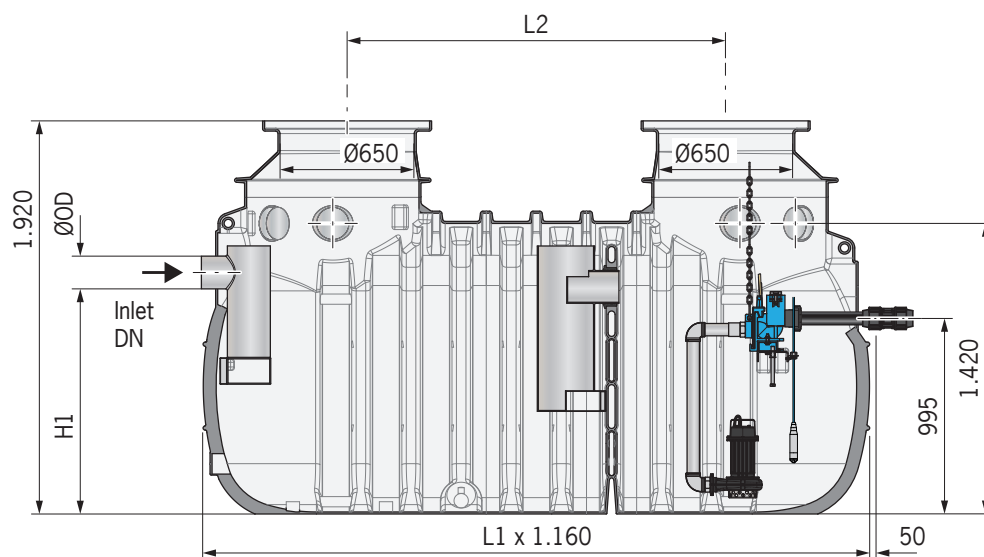


Illustration shows the complete product with covers, load class B

LipuLift-P – Order data





| Nominal size | Inlet Ø OD [mm] | Capacity Separator Sludge [l] | Capacity Separator Grease [l] | Capacity Separator Total [l] | Operating Volume Pump tank [l] | H1 [mm] | L1 [mm] | L2 [mm] |
|--------------|-----------------|-------------------------------|-------------------------------|------------------------------|--------------------------------|---------|---------|---------|
| NS 4 | 110 | 590 | 370 | 1,260 | 660 | 1,125 | 2,770 | 1,500 |
| NS 7 | 160 | 780 | 550 | 1,760 | 660 | 1,100 | 3,260 | 1,990 |
| NS 10 | 160 | 1010 | 710 | 2,260 | 660 | 1,100 | 3,750 | 2,480 |

Comfort stages






Grease Separator – Order data

| Product | Product description | Nominal size | Lifting height | Article No. |
|--|---|--------------|--------------------------|-------------|
| | | | pump station maximum [m] | |
|  <p>LipuLift-P-B</p> | <ul style="list-style-type: none"> ■ Disposal and cleaning via the manhole cover | NS 4 | 8 | 3204.20.01 |
| | | NS 7 | 6 | 3207.20.01 |
| | | | 8 | 3207.20.02 |
| | | NS 10 | 4 | 3210.20.02 |
| | | | 8 | 3210.20.03 |
|  <p>LipuLift-P-D</p> | <ul style="list-style-type: none"> ■ With a factory-prepared suction line made of PE-HD DN 65 (OD 75 mm), with Storz-B coupling and blind cover ■ Disposal with closed cover ■ Cleaning via the manhole covers | NS 4 | 8 | 3204.20.11 |
| | | NS 7 | 6 | 3207.20.11 |
| | | | 8 | 3207.20.12 |
| | | NS 10 | 4 | 3210.20.12 |
| | | | 8 | 3210.20.13 |
|  <p>LipuLift-P-DA</p> | <ul style="list-style-type: none"> ■ With a factory-prepared suction line made of PE-HD DN 65 (OD 75 mm), with Storz-B coupling and blind cover ■ With factory-prepared automatic high-pressure internal cleaning ■ Disposal, cleaning and refilling of the separator with closed covers | NS 4 | 8 | 3204.20.31 |
| | | NS 7 | 6 | 3207.20.31 |
| | | | 8 | 3207.20.32 |
| | | NS 10 | 4 | 3210.20.32 |
| | | | 8 | 3210.20.33 |
|  <p>LipuLift-P-DAP</p> | <ul style="list-style-type: none"> ■ With a factory-prepared suction line made of PE-HD DN 65 (OD 75 mm), with Storz-B coupling and blind cover ■ With factory-prepared automatic high-pressure internal cleaning and disposal pump for disposal heights of up to approx. 10 meters ■ Disposal, cleaning and refilling of the separator with closed covers | NS 4 | 8 | 3204.20.41 |
| | | NS 7 | 6 | 3207.20.41 |
| | | | 8 | 3207.20.42 |
| | | NS 10 | 4 | 3210.20.42 |
| | | | 8 | 3210.20.43 |



Level detection (all separators) – Order data

| | Product description | Suitable for | Type | Article No. |
|---|---|--------------------------------|--|--------------------------|
|  | Pressure sensor for switching the pump technology via an electric cable Consumption 4 – 20 mA, 0 – 200 mbar | ■ LipuLift-P-B/-D/ -DA/-DAP | Cable length: 20 meter Cable length: 40 meter | 0178.63.88 0178.63.87 |
|  | Dynamic pressure bell for switching the pump technology via a pneumatic measuring hose with air bubble injection Attention! Laying must be carried out without kinks, rising to the switching device | ■ LipuLift-P-B/-D | Tube length: 20 meter | 0155.41.90 |

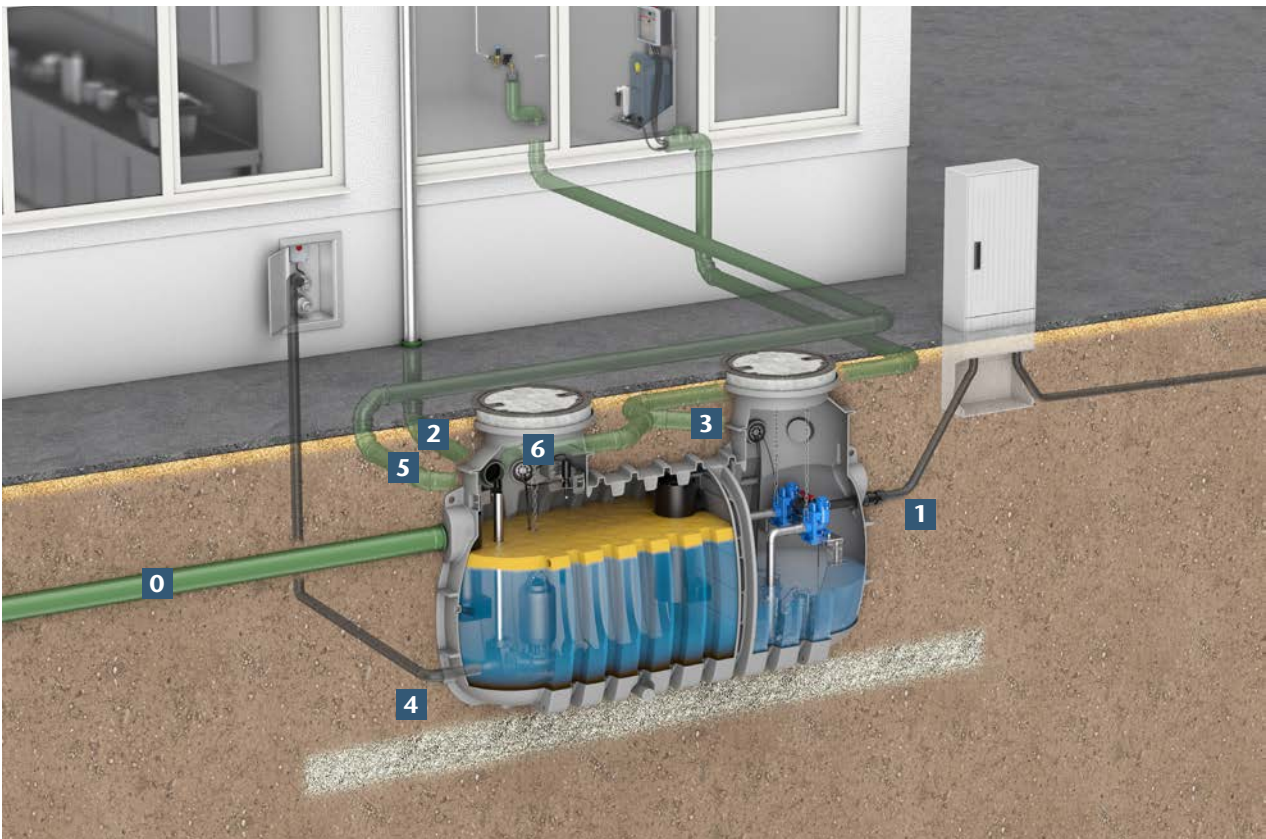
Cover systems (all separators type “P”) – Order data

| | Product description | Suitable for | Type | Article No. |
|---|--|-------------------------------|---|--|
|  | Cover load class A according to EN 124 Cover from concrete, frame from cast iron, odour-proof, unlocked | ■ LipuLift-P series | | 0155.26.36 |
|  | Cover load class B according to EN 124 Cover from concrete, frame from cast iron, odour-proof, locked | ■ LipuLift-P series | | 0150.79.02 |
|  | Cover load class D according to EN 124 Cover from concrete, frame from cast iron, odour-proof, locked | ■ LipuLift-P series | | 0150.69.52 |
|  | Support ring from concrete ARV 625 | ■ LipuLift-P series | Height: 60 mm Height: 80 mm Height 100 mm | 8700.20.00 8700.20.10 8700.20.20 |
|  | Removal key | ■ Covers load class A, B or D | | 4143.00.00 |

Order Data – high pressure hose (only grease separator type „DA“ or “DAP”)

| | Product description | Suitable for | Type | Article No. |
|---|---|--|----------------------------------|--|
|  | To connect a high pressure pump in the building and a high pressure cleaning head in the grease separator | ■ LipuLift-P-DA/-DAP | 10 meter 20 meter 30 meter | 0150.33.62 0150.33.63 0150.33.64 |
|  | ■ DN 100 ■ Sealing ring for ventilation ■ For all grease and light oil separators and sludge traps P series | ■ LipuMax P ■ Oleopator/Oleopass P ■ FapuMax P | – | 0150.34.32 |

Installation example



| Nr. | Designation | LipuLift-P-B | LipuLift-P-D | LipuLift-P-DA | LipuLift-P-DAP |
|-----|---|--------------|--------------|---------------|----------------|
| 0 | Inlet piping OD 110 mm (NS 4) or OD 160 mm (NS 7/NS 10) | x | x | x | x |
| 1 | Pressure pipe connection from PE OD 63 mm | x | x | x | x |
| 2 | Connection for ventilation line OD 110 mm | x | x | x | x |
| 3 | Cable duct OD 110 mm for cable pipe of the control unit | x | x | x | x |
| 4 | Disposal connection of PE OD 75 mm | | x | x | x |
| 5 | Connection for filling pipe OD 110 mm | | | x | x |
| 6 | Cable duct OD 110 mm for high-pressure internal cleaning (type "-DA") and disposal pump (type "-DAP") | | | x | x |

Buoyancy protection

| | |
|--------------------------------|--|
| Load class A15 and B125 | Container buoyancy-proof from the container bottom up to a height of 1650 mm (load class A15 and B125) with on-site concrete slab |
| Load class D400 | Container buoyancy-proof from the container bottom up to a height of 1650 mm (load class D400) with a concrete load distribution plate to be created on site |

ACO Grease Separator LipuLift-PF

Flexible version for variable inlet inverts

Product information

Grease separator according to EN 1825-1 made of polyethylene for underground installation with integrated dual pumping station according to EN 12050

Two dome openings, each to accommodate a top section with covers according to either class A, B or D

Integrated pumping station according to EN 12050, accessible via the manhole cover

- Pressure connection: 2" - OD Ø 63 mm (PE pipe)
- Ball backflow preventer
- Voltage: 400 V, 50 Hz, speed: 2,900 rpm
- Protection class IP 68; Operating mode: 51

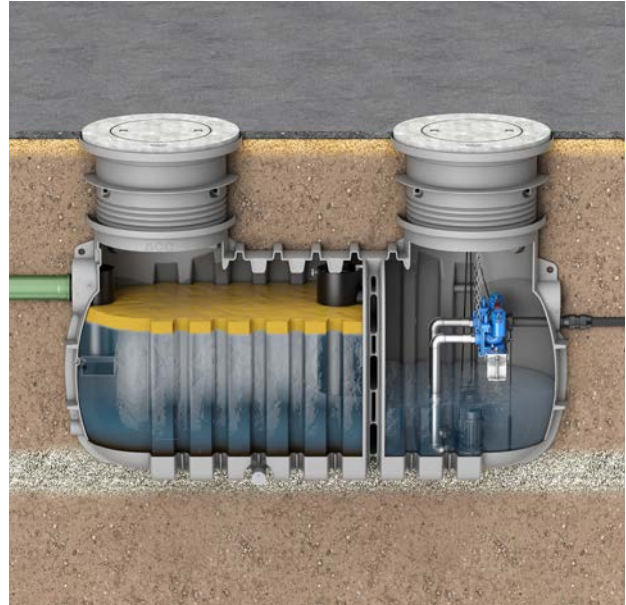
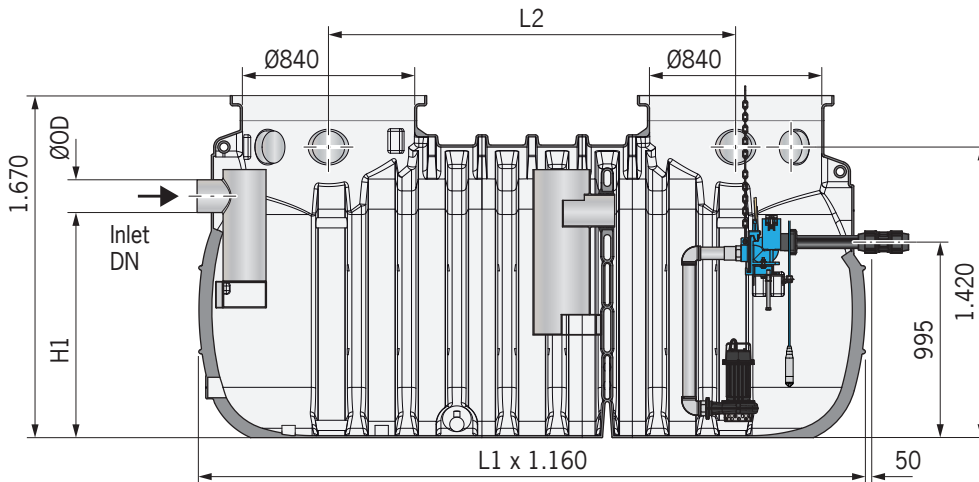


Illustration shows the complete product with covers, load class A

LipuLift-PF – Order data





| Nominal size | Inlet Ø OD [mm] | Capacity Separator Sludge [l] | Capacity Separator Grease [l] | Capacity Separator Total [l] | Operating Volume Pump tank [l] | H1 | L1 | L2 |
|--------------|-----------------|-------------------------------|-------------------------------|------------------------------|--------------------------------|-------|-------|-------|
| | | | | | | [mm] | [mm] | [mm] |
| NS 4 | 110 | 590 | 370 | 1,260 | 660 | 1,125 | 2,800 | 1,500 |
| NS 7 | 160 | 780 | 550 | 1,760 | 660 | 1,100 | 3,250 | 1,990 |
| NS 10 | 160 | 1,010 | 710 | 2,260 | 660 | 1,100 | 3,800 | 2,480 |

Comfort stages




Grease Separator – Order data

| Product | Product description | Nominal size | Lifting height | Article No. |
|---|--|--------------|--------------------------|-------------|
| | | | pump station maximum [m] | |
|  <p>LipuLift-PF-B</p> | <ul style="list-style-type: none"> ■ Disposal and cleaning via the manhole cover | NS 4 | 8 | 3204.30.01 |
| | | NS 7 | 6 | 3207.30.01 |
| | | | 8 | 3207.30.02 |
| | | NS 10 | 4 | 3210.30.02 |
| | | | 8 | 3210.30.03 |
|  <p>LipuLift-PF-D</p> | <ul style="list-style-type: none"> ■ With a factory-prepared suction line made of PE-HD, DN 65 (OD 75 mm), with Storz-B coupling and blind cover ■ Disposal with closed cover ■ Cleaning via the manhole covers | NS 4 | 8 | 3204.30.11 |
| | | NS 7 | 6 | 3207.30.11 |
| | | | 8 | 3207.30.12 |
| | | NS 10 | 4 | 3210.30.12 |
| | | | 8 | 3210.30.13 |
|  <p>LipuLift-PF-DA</p> | <ul style="list-style-type: none"> ■ With a factory-prepared suction line made of PE-HD, DN 65 (OD 75 mm), with Storz-B coupling and blind cover ■ With factory-prepared automatic high-pressure internal cleaning ■ Disposal, cleaning and refilling of the separator with closed covers | NS 4 | 8 | 3204.30.31 |
| | | NS 7 | 6 | 3207.30.31 |
| | | | 8 | 3207.30.32 |
| | | NS 10 | 4 | 3210.30.32 |
| | | | 8 | 3210.30.33 |
|  <p>LipuLift-PF-DAP</p> | <ul style="list-style-type: none"> ■ With a factory-prepared suction line made of PE-HD, DN 65 (OD 75 mm), with Storz-B coupling and blind cover ■ With factory-prepared automatic high-pressure internal cleaning and disposal pump for disposal heights of up to approx. 10 meters ■ Disposal, cleaning and refilling of the separator with closed covers | NS 4 | 8 | 3204.30.41 |
| | | NS 7 | 6 | 3207.30.41 |
| | | | 8 | 3207.30.42 |
| | | NS 10 | 4 | 3210.30.42 |
| | | | 8 | 3210.30.43 |




Level detection (all separators) – Order data

| | Product description | Suitable for | Type | Article No. |
|---|---|---------------------------------|--|--------------------------|
|  | Pressure sensor for switching the pump technology via an electric cable Consumption 4 – 20 mA, 0 – 200 mbar | ■ LipuLift-PF-B/-D/ -DA/-DAP | Cable length: 20 meter Cable length: 40 meter | 0178.63.88 0178.63.87 |
|  | Dynamic pressure bell for switching the pump technology via a pneumatic measuring hose with air bubble injection Attention! Laying must be carried out without kinks, rising to the switching device | ■ LipuLift-PF-B/-D | Tube length: 20 meter | 0155.41.90 |



Raising systems (all separators type “PF”) – Order data

| | Product description | Suitable for | Type | Article No. |
|---|--|----------------------|---|--------------------|
|  | ■ Cover load class A according to EN 124 ■ Cover from concrete, frame from cast iron, odour-proof, unlocked | ■ LipuLift-PF series | Inlet invert: 945 – 1,225 mm (NS 4) Inlet invert: 970 – 1,250 mm (NS 7/10) | 3300.14.01 |
|  | ■ Cover load class B according to EN 124 ■ Cover from concrete, frame from cast iron, odour-proof, locked | ■ LipuLift-PF series | Inlet invert: 945 – 1,875 mm (NS 4) Inlet invert: 970 – 1,900 mm (NS 7/10) | 3300.14.02 |
|  | ■ Cover load class D according to EN 124 ■ Cover from concrete, frame from cast iron, odour-proof, locked | ■ LipuLift-PF series | Inlet invert: 1,120 – 1,400 mm (NS 4) Inlet invert: 1,145 – 1,425 mm (NS 7/10) | 3300.15.01 |
| | | | Inlet invert: 1,120 – 1,875 mm (NS 4) Inlet invert: 1,145 – 1,900 mm (NS 7/10) | 3300.15.02 |
| | | | Inlet invert: 1,055 – 1,875 mm (NS 4) Inlet invert: 1,080 – 1,900 mm (NS 7/10) | 3300.17.00 |

Raising systems 600 (all separators type “PF”) – Order data

| | Product description | Suitable for | Type | Article No. |
|---|--|----------------------|--|-------------|
|  | <ul style="list-style-type: none"> ■ Cover load class A according to EN 124 ■ Cover from concrete, frame from cast iron, odour-proof, unlocked | ■ LipuLift-PF series | Inlet invert: 1,055 – 1,170 mm (NS 4) | 3300.34.11 |
| | | | Inlet invert: 1,080 – 1,195 mm (NS 7/10) | |
| | | | Inlet invert: 1,055 – 1,620 mm (NS 4) | 3300.34.12 |
| Inlet invert: 1,080 – 1,645 mm (NS 7/10) | | | | |
|  | <ul style="list-style-type: none"> ■ Cover load class B according to EN 124 ■ Cover from concrete, frame from cast iron, odour-proof, locked | ■ LipuLift-PF series | Inlet invert: 1,090 – 1,205 mm (NS 4) | 3300.35.11 |
| | | | Inlet invert: 1,115 – 1,230 mm (NS 7/10) | |
| | | | Inlet invert: 1,090 – 1,655 mm (NS 4) | 3300.35.12 |
| Inlet invert: 1,115 – 1,680 mm (NS 7/10) | | | | |
|  | <ul style="list-style-type: none"> ■ Cover load class D according to EN 124 ■ Cover from concrete, frame from cast iron, odour-proof, locked | ■ LipuLift-PF series | Inlet invert: 1,080 – 1,185 mm (NS 4) | 3300.37.08 |
| | | | Inlet invert: 1,105 – 1,210 mm (NS 7/10) | |
| | | | Inlet invert: 1,080 – 1,635 mm (NS 4) | 3300.37.09 |
| Inlet invert: 1,105 – 1,660 mm (NS 7/10) | | | | |
| | | | Inlet invert: 1,080 – 1,875 mm (NS 4) | 3300.37.10 |
| | | | Inlet invert: 1,105 – 1,900 mm (NS 7/10) | |

Order Data – high pressure hose (only grease separator type „DA“ or “DAP”)

| | Product description | Suitable for | Type | Article No. |
|---|---|--|----------|-------------|
|  | To connect a high pressure pump in the building and a high pressure cleaning head in the grease separator | ■ LipuLift-P-DA/-DAP | 10 meter | 0150.33.62 |
| | | | 20 meter | 0150.33.63 |
| | | | 30 meter | 0150.33.64 |
|  | <ul style="list-style-type: none"> ■ DN 100 ■ Sealing ring for ventilation ■ For all grease and light oil separators and sludge traps P series | <ul style="list-style-type: none"> ■ LipuMax P ■ Oleopator/Oleopass P ■ FapuMax P | — | 0150.34.32 |

ACO Grease Separator LipuMax-P-H

Standard Version, inlet inverts: depending on load classes and Nominal Sizes

Product information

Grease separator according to EN 1825-1 made of polyethylene for underground installation

Two dome openings, each for receiving support rings and manhole covers for inlet inverts:

- 870 mm – 1,150 mm (NS 10, load class A)
- 890 mm – 1,170 mm (NS 15, load class A)
- 910 mm – 1,150 mm (NS 10, load class B/D)
- 930 mm – 1,170 mm (NS 15, load class B/D)

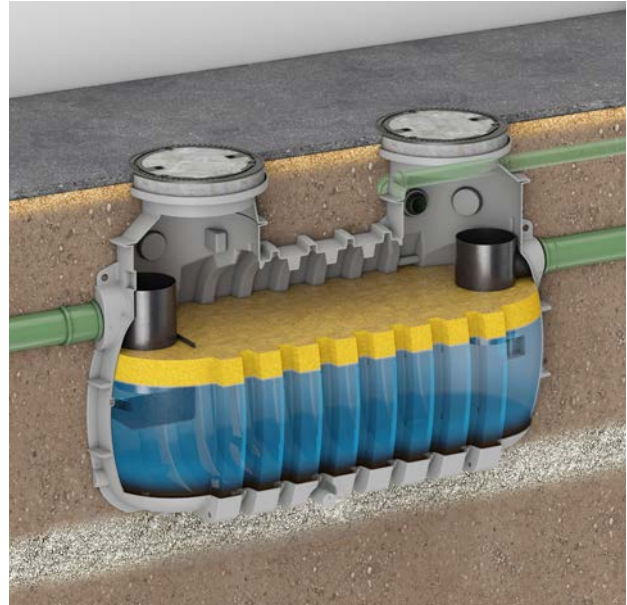
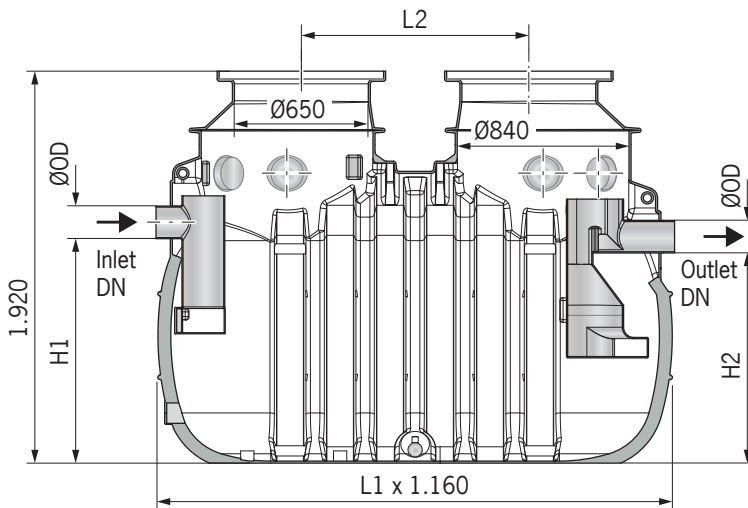


Illustration shows the complete product with covers, load class B

LipuMax-P-H – Order data








| Nominal size | Inlet Ø OD [mm] | Capacity Separator Sludge [l] | Capacity Separator Grease [l] | Capacity Separator Total [l] | H1 | H2 | L1 | L2 |
|--------------|-----------------|-------------------------------|-------------------------------|------------------------------|-------|-------|-------|-------|
| | | | | | [mm] | [mm] | [mm] | [mm] |
| NS 10 | 160 | 975 | 550 | 2,090 | 1,100 | 1,030 | 2,520 | 1,115 |
| NS 15 | 200 | 1,460 | 625 | 2,780 | 1,080 | 1,010 | 3,010 | 1,605 |
| NS 20 | 200 | 1,960 | 820 | 3,565 | 1,080 | 1,010 | 3,750 | 2,340 |

Comfort stages



Grease Separator – Order data

| Product | Product description | Nominal size | Article No. |
|--|---|--------------|-------------|
|  <p>LipuMax-P-H-B</p> | <ul style="list-style-type: none"> ■ Disposal and cleaning via the manhole cover | NS 10 | 3210.80.01 |
| | | NS 15 | 3215.80.01 |
| | | NS 20 | 3220.80.01 |
|  <p>LipuMax-P-H-D</p> | <ul style="list-style-type: none"> ■ With a factory-prepared suction line made of PE-HD, DN 65 (OD 75 mm) with Storz-B coupling and blind cover ■ Disposal with closed cover ■ cleaning via the manhole covers | NS 10 | 3210.81.01 |
| | | NS 15 | 3215.81.01 |
| | | NS 20 | 3220.81.01 |
|  <p>LipuMax-P-H-DA</p> | <ul style="list-style-type: none"> ■ With a factory-prepared suction line made of PE-HD, DN 65 (OD 75 mm) with Storz-B coupling and blind cover ■ With factory-prepared automatic high-pressure internal cleaning ■ Disposal, cleaning and refilling of the separator with closed covers | NS 10 | 3210.83.01 |
| | | NS 15 | 3215.83.01 |
| | | NS 20 | 3220.83.01 |

Cover systems (all separators type “PH”) – Order data

| | Product description | Suitable for | Type | Article No. |
|--|--|---|--|--|
|  | <ul style="list-style-type: none"> ■ Cover load class A according to EN 124 ■ Cover from concrete, frame from cast iron, odour-proof, unlocked | <ul style="list-style-type: none"> ■ LipuLift-P-H series | | 0155.26.36 |
|  | <ul style="list-style-type: none"> ■ Cover load class B according to EN 124 ■ Cover from concrete, frame from cast iron, odour-proof, locked | <ul style="list-style-type: none"> ■ LipuLift-P-H series | | 0150.79.02 |
|  | <ul style="list-style-type: none"> ■ Cover load class D according to EN 124 ■ Cover from concrete, frame from cast iron, odour-proof, locked | <ul style="list-style-type: none"> ■ LipuLift-P-H series | | 0150.69.52 |
|  | Support ring from concrete ARV 625 | <ul style="list-style-type: none"> ■ LipuLift-P-H series | Height: 60 mm Height: 80 mm Height: 100 mm | 8700.20.00 8700.20.10 8700.20.20 |
|  | Removal key | <ul style="list-style-type: none"> ■ LipuLift-P-H series | | 4143.00.00 |

Order Data – high pressure hose (only grease separator type „DA“ or “DAP”)

| | Product description | Suitable for | Type | Article No. |
|---|---|--|----------------------------------|--|
|  | To connect a high pressure pump in the building and a high pressure cleaning head in the grease separator | <ul style="list-style-type: none"> ■ LipuLift-P-H-DA | 10 meter 20 meter 30 meter | 0150.33.62 0150.33.63 0150.33.64 |
|  | <ul style="list-style-type: none"> ■ DN 100 ■ Sealing ring for ventilation ■ For all grease and light oil separators and sludge traps P series | <ul style="list-style-type: none"> ■ LipuMax P ■ Oleopator/Oleopass P ■ FapuMax P | — | 0150.34.32 |

ACO Grease Separator LipuMax-PF-H

Product information

Grease separator according to EN 1825-1 made of polyethylene for underground installation

Two dome openings, each to accommodate a top section with covers according to either class A, B or D.

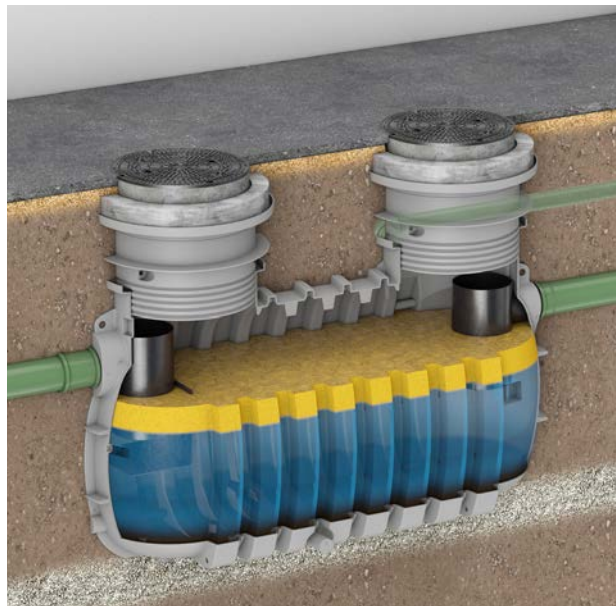
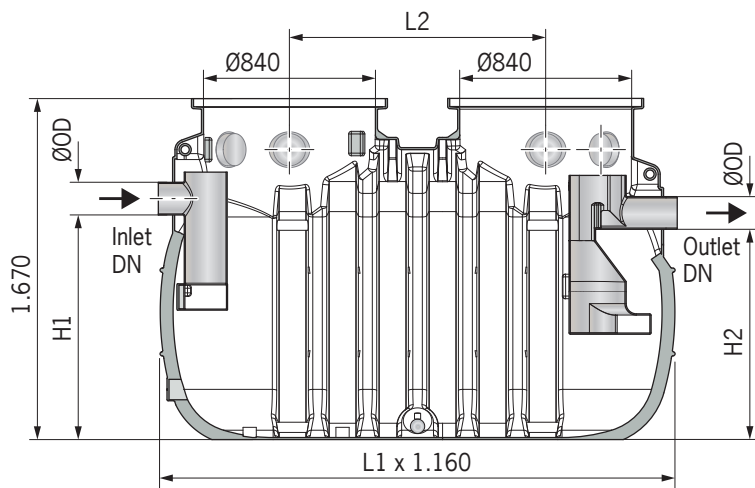


Illustration shows the complete product with covers, load class B




LipuMax-PF-H – Order data








| Nominal size | Inlet Ø OD [mm] | Capacity Separator Sludge [l] | Capacity Separator Grease [l] | Capacity Separator Total [l] | H1 [mm] | H2 [mm] | L1 [mm] | L2 [mm] |
|--------------|-----------------|-------------------------------|-------------------------------|------------------------------|---------|---------|---------|---------|
| NS 10 | 160 | 975 | 550 | 2,090 | 1,100 | 1,030 | 2,520 | 1,255 |
| NS 15 | 200 | 1,460 | 625 | 2,780 | 1,080 | 1,010 | 3,010 | 1,745 |
| NS 20 | 200 | 1,960 | 820 | 3,565 | 1,080 | 1,010 | 3,750 | 2,480 |

Comfort stages






Grease Separator – Order data

| Product | Product description | Nominal size | Article No. |
|---|---|--------------|-------------|
|  <p>LipuMax-PF-H-B</p> | <ul style="list-style-type: none"> Disposal and cleaning via the manhole cover | NS 10 | 3210.80.02 |
| | | NS 15 | 3215.80.02 |
| | | NS 20 | 3220.80.02 |
|  <p>LipuMax-PF-H-D</p> | <ul style="list-style-type: none"> With a factory-prepared suction line made of PE-HD DN 65 (OD 75 mm), with Storz-B coupling and blind cover Disposal with closed cover Cleaning via the manhole covers | NS 10 | 3210.81.02 |
| | | NS 15 | 3215.81.02 |
| | | NS 20 | 3220.81.02 |
|  <p>LipuMax-PF-H-DA</p> | <ul style="list-style-type: none"> With a factory-prepared suction line made of PE-HD DN 65 (OD 75 mm), with Storz-B coupling and blind cover With factory-prepared automatic high-pressure internal cleaning Disposal, cleaning and refilling of the separator with closed covers | NS 10 | 3210.83.02 |
| | | NS 15 | 3215.83.02 |
| | | NS 20 | 3220.83.02 |



Raising systems (all separators type "PF") – Order data

| | Product description | Suitable for | Type | Article No. |
|---|--|--|---|-------------|
|  | <ul style="list-style-type: none"> Cover load class A according to EN 124 Cover from concrete, frame from cast iron, odour-proof, unlocked | <ul style="list-style-type: none"> LipuMax-P-H series | Inlet invert: 970 – 1,245 mm (NS 10) | 3300.14.01 |
| | | | Inlet invert: 990 – 1,265 mm (NS 15, NS 20) | |
|  | <ul style="list-style-type: none"> Cover load class B according to EN 124 Cover from concrete, frame from cast iron, odour-proof, locked | <ul style="list-style-type: none"> LipuMax-P-H series | Inlet invert: 970 – 1,900 mm (NS 10) | 3300.14.02 |
| | | | Inlet invert: 990 – 1,920 mm (NS 15, NS 20) | |
|  | <ul style="list-style-type: none"> Cover load class B according to EN 124 Cover from concrete, frame from cast iron, odour-proof, locked | <ul style="list-style-type: none"> LipuMax-P-H series | Inlet invert: 1,140 – 1,420 mm (NS 10) | 3300.15.01 |
| | | | Inlet invert: 1,160 – 1,440 mm (NS 15, NS 20) | |
|  | <ul style="list-style-type: none"> Cover load class D according to EN 124 Cover from concrete, frame from cast iron, odour-proof, locked | <ul style="list-style-type: none"> LipuMax-P-H series | Inlet invert: 1,140 – 1,900 mm (NS 10) | 3300.15.02 |
| | | | Inlet invert: 1,160 – 1,920 mm (NS 15, NS 20) | |
|  | <ul style="list-style-type: none"> Cover load class D according to EN 124 Cover from concrete, frame from cast iron, odour-proof, locked | <ul style="list-style-type: none"> LipuMax-P-H series | Inlet invert: 1,080– 1,900 mm (NS 10) | 3300.17.00 |
| | | | Inlet invert: 1,100– 1,920 mm (NS 15, NS 20) | |

Raising systems 600 (all separators type “PF”) – Order data

| | Product description | Suitable for | Type | Article No. |
|---|--|----------------------|---|-------------|
|  | <ul style="list-style-type: none"> ■ Cover load class according to EN 124 ■ Cover from concrete, frame from cast iron, odour-proof, unlocked | ■ LipuMax-P-H series | Inlet invert: 1,080 – 1,190 mm (NS 10) | 3300.34.11 |
| | | | Inlet invert: 1,100 – 1,210 mm (NS 15, NS 20) | |
| | | | Inlet invert: 1,080 – 1,640 mm (NS 10) | 3300.34.12 |
| Inlet invert: 1,100 – 1,660 mm (NS 15, NS 20) | | | | |
|  | <ul style="list-style-type: none"> ■ Cover load class B according to EN 124 ■ Cover from concrete, frame from cast iron, odour-proof, locked | ■ LipuMax-P-H series | Inlet invert: 1,080 – 1,900 mm (NS 10) | 3300.34.13 |
| | | | Inlet invert: 1,100 – 1,920 mm (NS 15, NS 20) | |
| | | | Inlet invert: 1,110 – 1,225 mm (NS 10) | 3300.35.11 |
| Inlet invert: 1,130 – 1,245 mm (NS 15, NS 20) | | | | |
|  | <ul style="list-style-type: none"> ■ Cover load class D according to EN 124 ■ Cover from concrete, frame from cast iron, odour-proof, locked | ■ LipuMax-P-H series | Inlet invert: 1,110 – 1,675 mm (NS 10) | 3300.35.12 |
| | | | Inlet invert: 1,130 – 1,695 mm (NS 15, NS 20) | |
| | | | Inlet invert: 1,110 – 1,900 mm (NS 10) | 3300.35.13 |
| Inlet invert: 1,130 – 1,920 mm (NS 15, NS 20) | | | | |
|  | <ul style="list-style-type: none"> ■ Cover load class D according to EN 124 ■ Cover from concrete, frame from cast iron, odour-proof, locked | ■ LipuMax-P-H series | Inlet invert: 1,000 – 1,205 mm (NS 10) | 3300.37.08 |
| | | | Inlet invert: 1,020 – 1,225 mm (NS 15, NS 20) | |
| | | | Inlet invert: 1,000 – 1,665 mm (NS 10) | 3300.37.09 |
| Inlet invert: 1,020 – 1,675 mm (NS 15, NS 20) | | | | |
|  | <ul style="list-style-type: none"> ■ Cover load class D according to EN 124 ■ Cover from concrete, frame from cast iron, odour-proof, locked | ■ LipuMax-P-H series | Inlet invert: 1,000 – 1,900 mm (NS 10) | 3300.37.10 |
| | | | Inlet invert: 1,020 – 1,920 mm (NS 15, NS 20) | |

Order Data – high pressure hose (only grease separator type „DA“ or “DAP”)

| | Product description | Suitable for | Type | Article No. |
|---|---|--|----------|-------------|
|  | To connect a high pressure pump in the building and a high pressure cleaning head in the grease separator | ■ Lipulift-P-H-DA | 10 meter | 0150.33.62 |
| | | | 20 meter | 0150.33.63 |
|  | <ul style="list-style-type: none"> ■ DN 100 ■ Sealing ring for ventilation ■ For all grease and light oil separators and sludge traps P series | <ul style="list-style-type: none"> ■ LipuMax P ■ Oleopator/Oleopass P ■ FapuMax P | — | 0150.34.32 |

ACO Grease Separator P-SD

with integrated top section



- For selected Nominal Sizes of grease separators, up to NS 5.5
- With integrated raising tube
- Load classes A, B or D
- No buoyancy protection needed if inlet invert does not exceed 800 mm



ACO Grease Separator LipuMax P-SD

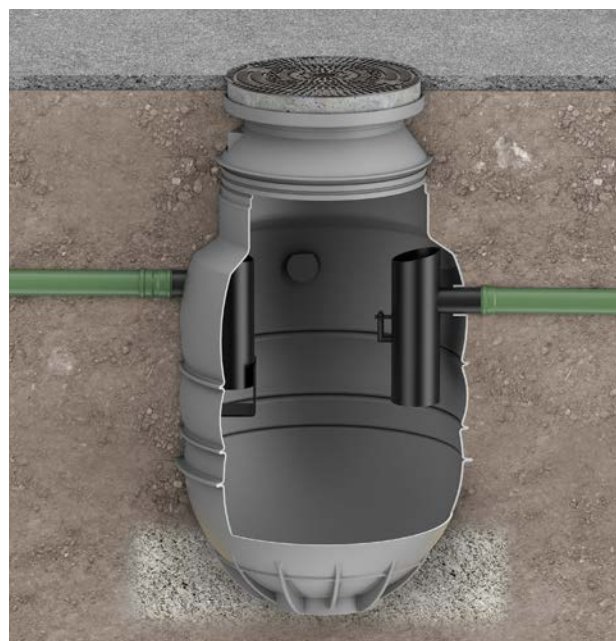
with integrated top section

Product information

Grease separator of polyethylene for below ground installation

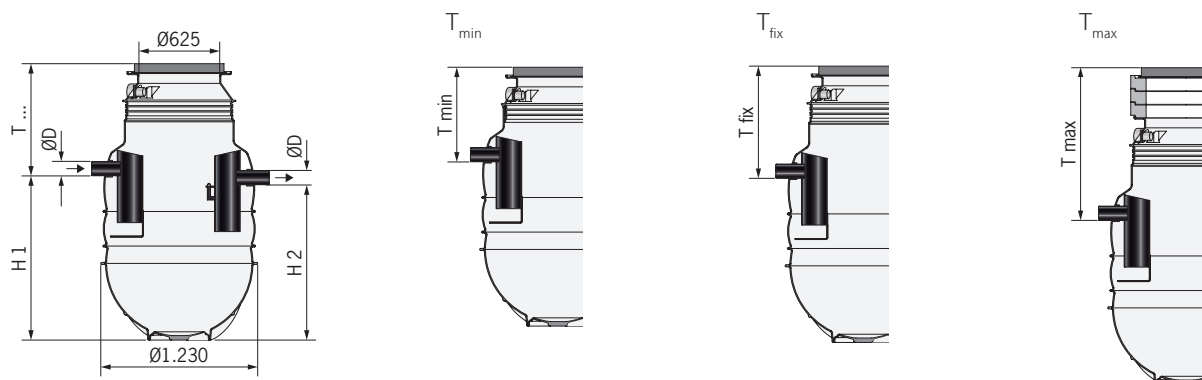
- According to EN 1825
- Type test report
- 7310374-01a (NS 2 & NS 4)
- 7310372-01 (NS 5.5)
- Inlet and outlet connection according to outside diameter OD depending on Nominal Size of separator
- Disposal and cleaning via cover
- With integrally formed raising tube for varying inlet heights
- Optionally upgradable with concrete supporting rings 60, 80 and 100 mm up to inlet invert T_{max}
- With flat ring for sealing between cover and separator

Note: Cover (accessory) is not included, page 37



Installation example shows ACO LipuMax P-SD NS 4 for load class B125

LipuMax P-SD – Order data



25

| Nominal size | Nominal width | Volume sludge trap [l] | Volume grease storage [l] | Total capacity [l] | OD [mm] | H1 [mm] | H2 [mm] | Class A/B | | | Weight [kg] | Article No. [grey] |
|--------------|---------------|------------------------|---------------------------|--------------------|---------|---------|---------|--------------------------------------|--------------------------------------|-----------------------|-------------|--------------------|
| | | | | | | | | T _{min} * ¹ [mm] | T _{fix} * ² [mm] | T _{max} [mm] | | |
| NS 2 | DN 100 | 240 | 270 | 730 | 110 | 1,015 | 945 | 740 | 870 | 1,320 | 64 | 3202.40.00 |
| NS 2 | DN 100 | 515 | 270 | 1,010 | 110 | 1,285 | 1,215 | 740 | 870 | 1,320 | 75 | 3202.40.10 |
| NS 4 | DN 100 | 515 | 270 | 1,010 | 110 | 1,285 | 1,215 | 740 | 870 | 1,320 | 75 | 3204.40.00 |
| NS 4 | DN 100 | 1000 | 270 | 1,475 | 110 | 1,770 | 1,700 | 740 | 870 | 1,230 | 90 | 3204.40.10 |
| NS 5.5 | DN 150 | 570 | 230 | 1,465 | 160 | 1,745 | 1,675 | 760 | 890 | 1,260 | 93 | 3205.40.00 |

*¹ Load class D does not have T_{min}

*² Load class A15 and B125 only, for load class D, 270 mm have to be added

ACO Grease Separator P

with separated top section



- For selected Nominal Sizes of grease separators, up to NS 10
- With integrated raising tube
- Load classes A/B or D
- No buoyancy protection needed for load class A/B when inlet invert does not exceed 500 mm
- No buoyancy protection needed for load class D



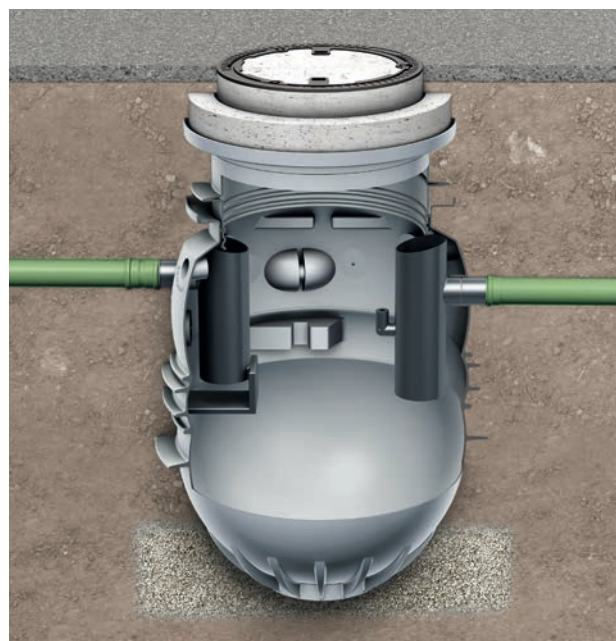
ACO Grease Separator LipuMax P-B

Basic model

Product information

Grease separator of polyethylene for below ground installation

- According to EN 1825 and DIN 4040-100
- Inlet and outlet connection according to outside diameter OD depending on nominal size of separator
- Disposal and cleaning via cover

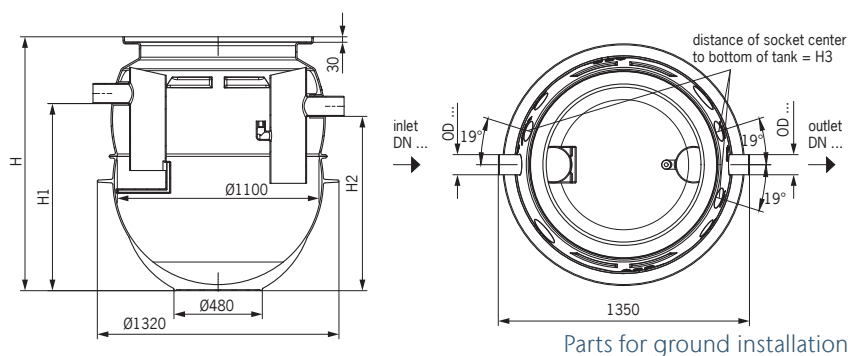


Installation example shows ACO LipuMax P-B NS 4 with a top section unit for load class B 125

LipuMax P-B – Order data

Accessories

- Sampling pots and extension elements, page 39
- Grease level sensor, page 40
Always required for LipuMax P-B



Parts for ground installation

| Nominal size | Nominal width | Volume | Volume | Total capacity | OD | H | H1 | H2 | H3 | Weight | Article No. |
|--------------|---------------|-------------|----------------|----------------|-----|-------|-------|-------|-------|--------|-------------|
| | | sludge trap | grease storage | | | | | | | | |
| NS 2 | DN 100 | 245 | 270 | 720 | 110 | 1,375 | 1,015 | 945 | 1,130 | 63 | 3202.80.00 |
| NS 2 | DN 100 | 460 | 270 | 930 | 110 | 1,595 | 1,235 | 1,165 | 1,345 | 79 | 3202.80.10 |
| NS 4 | DN 100 | 460 | 270 | 930 | 110 | 1,595 | 1,235 | 1,165 | 1,345 | 79 | 3204.80.00 |
| NS 4 | DN 100 | 980 | 270 | 1,465 | 110 | 2,130 | 1,770 | 1,700 | 1,880 | 89 | 3204.80.10 |
| NS 5.5 | DN 150 | 570 | 230 | 1,465 | 160 | 2,130 | 1,745 | 1,675 | 1,880 | 93 | 3205.80.00 |
| NS 5.5 | DN 150 | 1,065 | 230 | 1,960 | 160 | 2,610 | 2,225 | 2,155 | 2,365 | 108 | 3205.80.10 |
| NS 7 | DN 150 | 730 | 285 | 1,675 | 160 | 2,345 | 1,960 | 1,890 | 2,100 | 108 | 3207.80.00 |
| NS 8.5 | DN 150 | 860 | 360 | 1,900 | 160 | 2,560 | 2,175 | 2,105 | 2,310 | 115 | 3208.80.00 |
| NS 10 | DN 150 | 1,010 | 415 | 2,170 | 160 | 2,830 | 2,445 | 2,375 | 2,580 | 125 | 3210.80.00 |

ACO Grease Separator LipuMax P-D

Extension stage 1

Product information

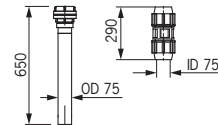
Grease separator of polyethylene for below ground installation

- According to EN 1825 and DIN 4040-100
- inlet and outlet connection according to outside diameter OD depending on nominal size of separator
- Disposal via direct suction line DN 65, PN 10, counter flange and Storz-75 B hose quick coupling and blind cover
- Cleaning via cover



Installation example shows ACO LipuMax P-D NS 4 with a top section unit for load class B 125

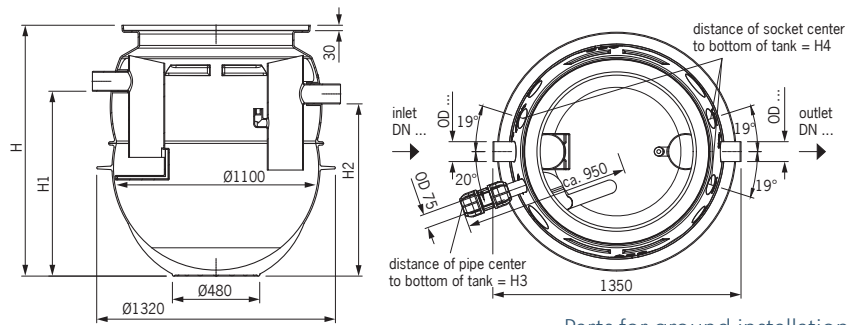
Parts for aboveground installation



LipuMax P-D – Order data

Accessories

- Sampling pots and extension elements, page 39
- Grease level sensor, page 40



Parts for ground installation

| Nominal size | Nominal width | Volume sludge trap [l] | Volume grease storage [l] | Total capacity [l] | OD [mm] | H [mm] | H1 [mm] | H2 [mm] | H3 [mm] | H4 [mm] | Weight [kg] | Article No. [grey] |
|--------------|---------------|------------------------|---------------------------|--------------------|---------|--------|---------|---------|---------|---------|-------------|--------------------|
| NS 2 | DN 100 | 245 | 270 | 720 | 110 | 1,375 | 1,015 | 945 | 1,150 | 1,130 | 66 | 3202.81.00 |
| NS 2 | DN 100 | 460 | 270 | 930 | 110 | 1,595 | 1,235 | 1,165 | 1,365 | 1,345 | 81 | 3202.81.10 |
| NS 4 | DN 100 | 460 | 270 | 930 | 110 | 1,595 | 1,235 | 1,165 | 1,365 | 1,345 | 81 | 3204.81.00 |
| NS 4 | DN 100 | 980 | 270 | 1,465 | 110 | 2,130 | 1,770 | 1,700 | 1,900 | 1,880 | 92 | 3204.81.10 |
| NS 5.5 | DN 150 | 570 | 230 | 1,465 | 160 | 2,130 | 1,745 | 1,675 | 1,900 | 1,880 | 95 | 3205.81.00 |
| NS 5.5 | DN 150 | 1065 | 230 | 1,960 | 160 | 2,610 | 2,225 | 2,155 | 2,380 | 2,365 | 111 | 3205.81.10 |
| NS 7 | DN 150 | 730 | 285 | 1,675 | 160 | 2,345 | 1,960 | 1,890 | 2,120 | 2,100 | 111 | 3207.81.00 |
| NS 8.5 | DN 150 | 860 | 360 | 1,900 | 160 | 2,560 | 2,175 | 2,105 | 2,330 | 2,310 | 118 | 3208.81.00 |
| NS 10 | DN 150 | 1,010 | 415 | 2,170 | 160 | 2,830 | 2,445 | 2,375 | 2,600 | 2,580 | 128 | 3210.81.00 |

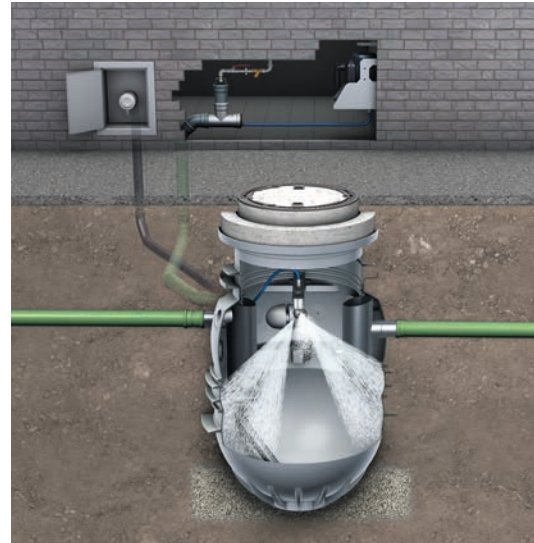
ACO Grease Separator LipuMax P-DM

Extension stage 2

Product information

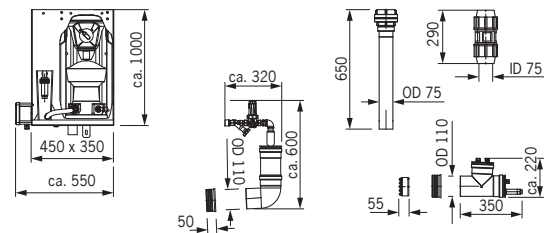
Grease separator of polyethylene for below ground installation

- According to EN 1825, DIN 4040-100
- Inlet and outlet connection according to outside diameter OD depending on nominal size of separator
- Disposal via direct suction line DN 65, PN 10, counter flange and Storz-75 B hose quick coupling and blind cover
- Filling device ¾" with manual operated ball valve to be installed inside a building with cold water supply
- High pressure internal cleaning
 - High-pressure pump with storage tank to be installed inside a building with cold water supply
 - Manual controlled disposal
 - Nominal pressure: 175 bar
 - Flow rate: 11.6 litre /minute
 - Electrical connection: 400 V/50 Hz/16 A/3.9 kW



Installation example shows ACO LipuMax P-DM NS 4 with a top section unit for load class B 125

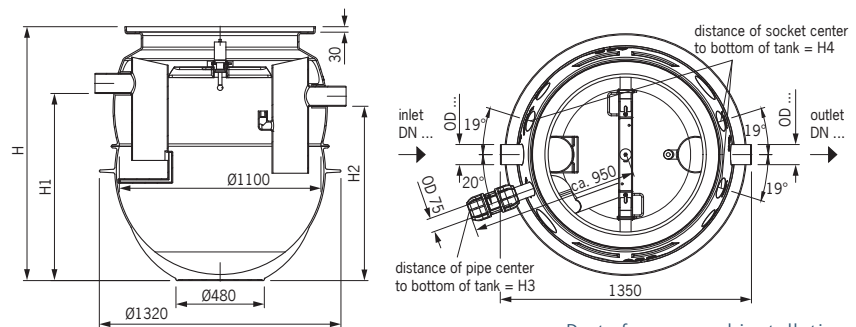
Parts for aboveground installation



LipuMax P-DM – Order data

Accessories

- Sampling pots and extension elements, page 39
 - Grease level sensor, page 40
 - High-pressure hose, page 41
- Always required for LipuMax P-DM*



Parts for ground installation

| Nominal size | Nominal width | Volume sludge trap [l] | Volume grease storage [l] | Total capacity [l] | OD | H | H1 | H2 | H3 | H4 | Weight [kg] | Article No. [grey] |
|--------------|---------------|------------------------|---------------------------|--------------------|------|-------|-------|-------|-------|-------|-------------|--------------------|
| | | | | | [mm] | [mm] | [mm] | [mm] | [mm] | [mm] | | |
| NS 2 | DN 100 | 245 | 270 | 720 | 110 | 1,375 | 1,015 | 945 | 1,150 | 1,130 | 119 | 3202.82.00 |
| NS 2 | DN 100 | 460 | 270 | 930 | 110 | 1,595 | 1,235 | 1,165 | 1,365 | 1,345 | 134 | 3202.82.10 |
| NS 4 | DN 100 | 460 | 270 | 930 | 110 | 1,595 | 1,235 | 1,165 | 1,365 | 1,345 | 134 | 3204.82.00 |
| NS 4 | DN 100 | 980 | 270 | 1,465 | 110 | 2,130 | 1,770 | 1,700 | 1,900 | 1,880 | 145 | 3204.82.10 |
| NS 5.5 | DN 150 | 570 | 230 | 1,465 | 160 | 2,130 | 1,745 | 1,675 | 1,900 | 1,880 | 148 | 3205.82.00 |
| NS 5.5 | DN 150 | 1,065 | 230 | 1,960 | 160 | 2,610 | 2,225 | 2,155 | 2,380 | 2,365 | 164 | 3205.82.10 |
| NS 7 | DN 150 | 730 | 285 | 1,675 | 160 | 2,345 | 1,960 | 1,890 | 2,120 | 2,100 | 164 | 3207.82.00 |
| NS 8.5 | DN 150 | 860 | 360 | 1,900 | 160 | 2,560 | 2,175 | 2,105 | 2,330 | 2,310 | 171 | 3208.82.00 |
| NS 10 | DN 150 | 1,010 | 415 | 2,170 | 160 | 2,830 | 2,445 | 2,375 | 2,600 | 2,580 | 181 | 3210.82.00 |

ACO Grease Separator LipuMax P-DA

Extension stage 3

Product information

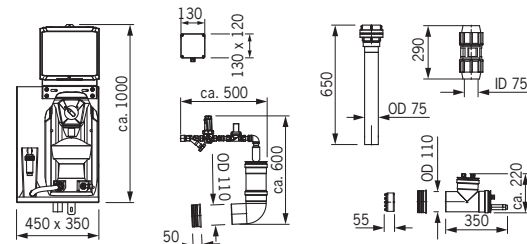
Grease separator of polyethylene for below ground installation

- According to EN 1825, DIN 4040-100
- Inlet and outlet connection according to outside diameter OD depending on nominal size of separator
- Disposal via direct suction line DN 65, PN 10, counter flange and Storz-75 B hose quick coupling and blind cover
- Filling device ¾" with solenoid valve to be installed inside a building with cold water supply
- High pressure internal cleaning
 - High-pressure pump with storage tank to be installed inside a building with cold water supply
 - Automatic program controlled disposal via remote control
 - Nominal pressure: 175 bar
 - Flow rate: 11.6 litre/minute
 - Electrical connection: 400 V/ 50 Hz/ 16 A/ 3.9 kW



Installation example shows ACO LipuMax P-DA NS 4 with a top section unit for load class B 125

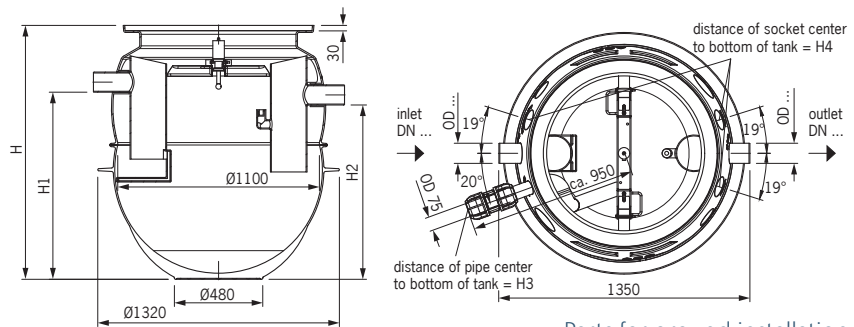
Parts for aboveground installation



LipuMax P-DAP – Order data

Accessories

- Sampling pots and extension elements, page 39
 - Grease level sensor, page 40
 - High-pressure hose, page 41
- Always required for LipuMax P-DA*



Parts for ground installation

| Nominal size | Nominal width | Volume sludge trap [l] | Volume grease storage [l] | Total capacity [l] | OD [mm] | H [mm] | H1 [mm] | H2 [mm] | H3 [mm] | H4 [mm] | Weight [kg] | Article No. [grey] |
|--------------|---------------|------------------------|---------------------------|--------------------|---------|--------|---------|---------|---------|---------|-------------|--------------------|
| NS 2 | DN 100 | 245 | 270 | 720 | 110 | 1,375 | 1,015 | 945 | 1,150 | 1,130 | 123 | 3202.83.00 |
| NS 2 | DN 100 | 460 | 270 | 930 | 110 | 1,595 | 1,235 | 1,165 | 1,365 | 1,345 | 138 | 3202.83.10 |
| NS 4 | DN 100 | 460 | 270 | 930 | 110 | 1,595 | 1,235 | 1,165 | 1,365 | 1,345 | 138 | 3204.83.00 |
| NS 4 | DN 100 | 980 | 270 | 1,465 | 110 | 2,130 | 1,770 | 1,700 | 1,900 | 1,880 | 149 | 3204.83.10 |
| NS 5.5 | DN 150 | 570 | 230 | 1,465 | 160 | 2,130 | 1,745 | 1,675 | 1,900 | 1,880 | 152 | 3205.83.00 |
| NS 5.5 | DN 150 | 1,065 | 230 | 1,960 | 160 | 2,610 | 2,225 | 2,155 | 2,380 | 2,365 | 167 | 3205.83.10 |
| NS 7 | DN 150 | 730 | 285 | 1,675 | 160 | 2,345 | 1,960 | 1,890 | 2,120 | 2,100 | 168 | 3207.83.00 |
| NS 8.5 | DN 150 | 860 | 360 | 1,900 | 160 | 2,560 | 2,175 | 2,105 | 2,330 | 2,310 | 175 | 3208.83.00 |
| NS 10 | DN 150 | 1,010 | 415 | 2,170 | 160 | 2,830 | 2,445 | 2,375 | 2,600 | 2,580 | 185 | 3210.83.00 |

ACO Grease Separator LipuMax P-DAP

Extension stage 3 with disposal pump

Product information

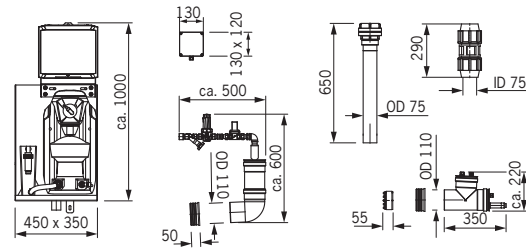
Grease separator of polyethylene for below ground installation

- According to EN 1825, DIN 4040-100
- Inlet and outlet connection according to outside diameter OD depending on Nominal Size of separator
- Disposal via direct suction line DN 65, PN 10, counter flange and Storz-75 B hose quick coupling and blind cover
- Filling device 3/4" with solenoid valve to be installed inside a building with cold water supply
- High pressure internal cleaning
 - High-pressure pump with storage tank to be installed inside a building with cold water supply
 - Automatic program controlled disposal via remote control
 - Nominal pressure of high pump: 175 bar
 - Flow rate: 11.6 l/s
- Disposal pump (submerged pump) with free flow impeller:
 - Motor capacity: 3.7 kW
 - Speed: 2,880 rpm
 - Degree of protection: IP 68
 - Weigh: approx. 55 kg
- Electrical connection: 400 V / 50 Hz / 16 A / 8.0 kW



Installation example shows ACO LipuMax P-DA NS 4 with a top section unit for load class B 125

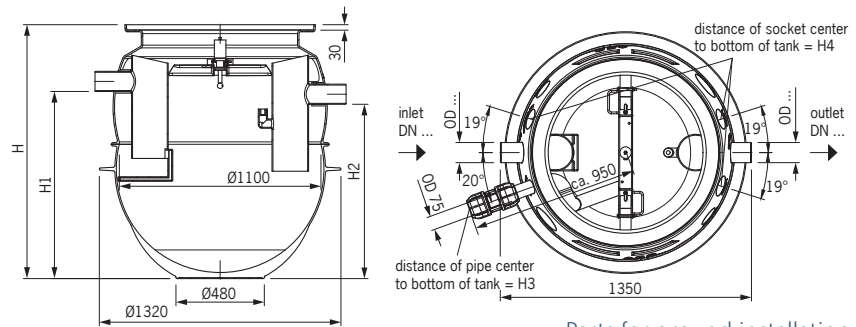
Parts for aboveground installation



LipuMax P-DA – Order data

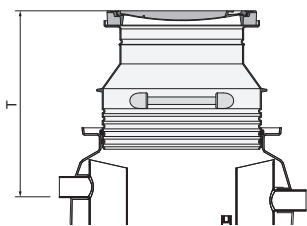
Accessories

- Sampling pots and extension elements, page 39
 - Grease level sensor, page 40
 - High-pressure hose, page 41
- Always required for LipuMax P-DAP



Parts for ground installation

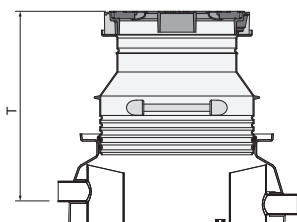
| Nominal size | Nominal width | Volume sludge trap [l] | Volume grease storage [l] | Total capacity [l] | OD [mm] | H [mm] | H1 [mm] | H2 [mm] | H3 [mm] | H4 [mm] | Weight [kg] | Article No. [grey] |
|--------------|---------------|------------------------|---------------------------|--------------------|---------|--------|---------|---------|---------|---------|-------------|--------------------|
| NS 4 | DN 100 | 460 | 270 | 930 | 110 | 1,595 | 1,235 | 1,165 | 1,365 | 1,345 | 182 | 3204.84.00 |
| NS 5.5 | DN 150 | 570 | 230 | 1,465 | 160 | 2,130 | 1,745 | 1,675 | 1,900 | 1,880 | 207 | 3205.84.00 |
| NS 7 | DN 150 | 730 | 285 | 1,675 | 160 | 2,345 | 1,960 | 1,890 | 2,120 | 2,100 | 227 | 3207.84.00 |
| NS 8.5 | DN 150 | 860 | 360 | 1,900 | 160 | 2,560 | 2,175 | 2,105 | 2,330 | 2,310 | 232 | 3208.84.00 |
| NS 10 | DN 150 | 1010 | 415 | 2,170 | 160 | 2,830 | 2,445 | 2,375 | 2,600 | 2,580 | 247 | 3210.84.00 |

Top section 600, load class A 15 – Order data

- Load class A 15 according to EN 124
- Frame from concrete, cover from cast iron
- Clear opening Ø 600 mm
- Cover odour proof sealed
- Raising tube from polyethylene

*installation height can also be achieved with item 3300.34.12

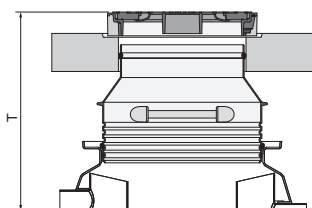
| | NS 2 | NS 2 | NS 4 | NS 4 | NS 5.5 | NS 5.5 | NS 7 | NS 8.5 | NS 10 | Weight | Article No. |
|-----------|-----------|-----------|-----------|-----------|------------|-----------|------------|------------|-----------|--------|-------------|
| | ST 200 | ST 400 | ST 400 | ST 800 | ST 550 | ST 1100 | ST 700 | ST 850 | ST 1000 | | |
| T | | | | | | | | | | [kg] | [grey] |
| 870–990 | 870–990 | 870–990 | 870–990 | 870–990 | 895–1,015 | 895–1,015 | 895–1,015 | 895–1,015 | 895–1,015 | 107 | 3300.34.11 |
| 870–1,440 | 870–1,440 | 870–1,440 | 870–1,440 | 870–1,440 | 895–1,465 | 895–1,375 | 895–1,465 | 895–1,425 | 895–1,155 | 111 | 3300.34.12 |
| 870–2,020 | 870–2,020 | 870–2,020 | 870–1,830 | 895–1,855 | 895–1,375* | 895–1,640 | 895–1,425* | 895–1,155* | | 119 | 3300.34.13 |

Top section 600, load class B 125 – Order data

- Load class B 125 according to EN 124
- Frame from concrete, SAKU cover from polyethylene
- Clear opening Ø 600 mm
- Cover odour proof sealed
- Raising tube from polyethylene

*installation height can also be achieved with item 3300.35.12

| | NS 2 | NS 2 | NS 4 | NS 4 | NS 5.5 | NS 5.5 | NS 7 | NS 8.5 | NS 10 | Weight | Article No. |
|-----------|-----------|-----------|-----------|-----------|------------|-----------|------------|------------|-----------|--------|-------------|
| | ST 200 | ST 400 | ST 400 | ST 800 | ST 550 | ST 1100 | ST 700 | ST 850 | ST 1000 | | |
| T | | | | | | | | | | [kg] | [grey] |
| 905–1,025 | 905–1,025 | 905–1,025 | 905–1,025 | 905–1,025 | 930–1,050 | 930–1,050 | 930–1,050 | 930–1,050 | 930–1,050 | 85 | 3300.35.11 |
| 905–1,475 | 905–1,475 | 905–1,475 | 905–1,475 | 905–1,475 | 930–1,500 | 930–1,375 | 930–1,500 | 930–1,425 | 930–1,155 | 89 | 3300.35.12 |
| 905–2,070 | 905–2,070 | 905–2,070 | 905–1,830 | 930–1,855 | 930–1,375* | 930–1,640 | 930–1,425* | 930–1,155* | | 97 | 3300.35.13 |

Top section 600, load class D 400 – Order data

- Load class D 400 according to EN 124
- Frame from concrete, cover from cast iron
- Clear opening Ø 600 mm
- Cover odour proof sealed
- Adapter plate from concrete Ø 1,000 mm x 150 mm
- Raising tube from polyethylene
- Selectively with load distribution plate from concrete Ø 1,500 mm x 200 mm

| Load distribution plate | Raising tube length | NS 2 | NS 2 | NS 4 | NS 4 | NS 5.5 | NS 5.5 | NS 7 | NS 8.5 | NS 10 | Weight | Article No. |
|-------------------------|---------------------|-----------|-----------|-----------|-----------|-----------|-----------|-----------|-----------|-----------|--------|-------------|
| | | ST 200 | ST 400 | ST 400 | ST 800 | ST 550 | ST 1100 | ST 700 | ST 850 | ST 1000 | | |
| | | | | | | | | | | | [kg] | [grey] |
| with | short | 915–1,035 | 915–1,035 | 915–1,035 | 915–1,035 | 940–1,060 | 940–1,060 | 940–1,060 | 940–1,060 | 940–1,060 | 850 | 3300.36.08 |
| with | medium | 915–1,485 | 915–1,485 | 915–1,485 | 915–1,485 | 940–1,510 | 940–1,375 | 940–1,510 | 940–1,425 | 940–1,155 | 864 | 3300.36.09 |
| with | long | 915–2,050 | 915–2,050 | 915–2,050 | 915–1,830 | 940–1,855 | 940–1,375 | 940–1,640 | 940–1,425 | 940–1,155 | 870 | 3300.36.10 |
| without | short | 915–1,035 | 915–1,035 | 915–1,035 | 915–1,035 | 940–1,060 | 940–1,060 | 940–1,060 | 940–1,060 | 940–1,060 | 130 | 3300.37.08 |
| without | medium | 915–1,485 | 915–1,485 | 915–1,485 | 915–1,485 | 940–1,510 | 940–1,375 | 940–1,510 | 940–1,425 | 940–1,155 | 144 | 3300.37.09 |
| without | long | 915–2,050 | 915–2,050 | 915–2,050 | 915–1,830 | 940–1,855 | 940–1,375 | 940–1,640 | 940–1,425 | 940–1,155 | 150 | 3300.37.10 |

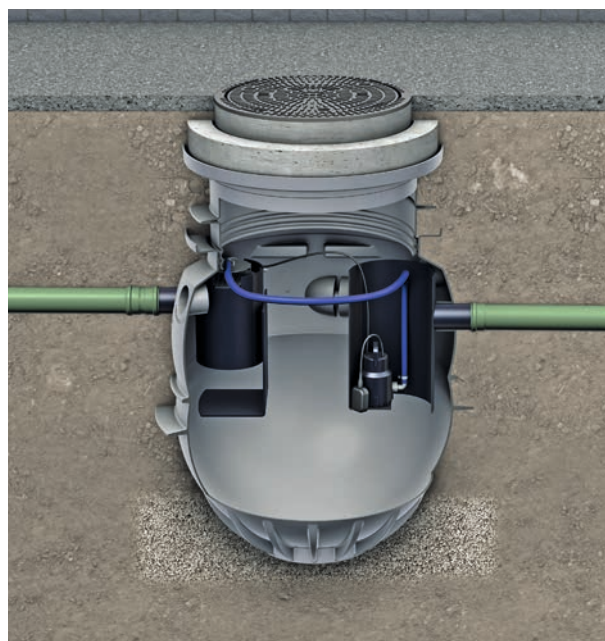
ACO Starch Separator FapuMax P-B

Basic Model

Product information

Starch separator of polyethylene for below ground installation

- Inlet and outlet connection according to outside diameter OD depending on nominal size of separator
- Spray power head to rinse off the starch
- Circular pump for operation of the spray shower
- Control unit for operation of circular pump via potato peeling machine
- Disposal and cleaning via cover



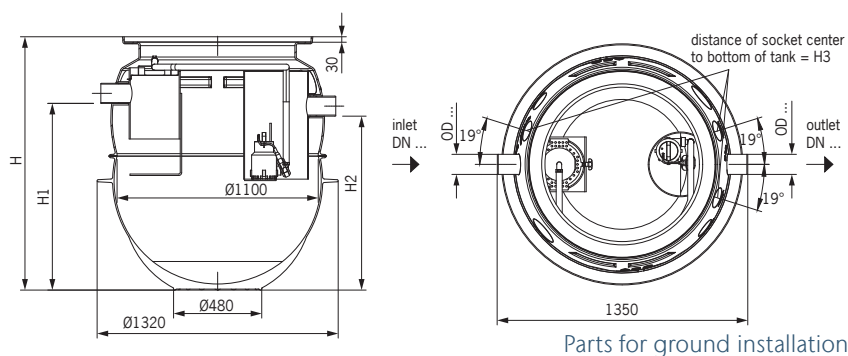
Installation example shows ACO FapuMax P-B NS 1 with a top section unit for load class B 125

FapuMax P-B – Order data

Accessories

- Sampling pots and extension elements, page 39

Always required for FapuMax P-B



| Nominal size | Nominal width | Total capacity | OD | H | H1 | H2 | H3 | Weight | Article No. |
|--------------|---------------|----------------|-----|-------|-------|-------|-------|--------|-------------|
| | | | | | | | | | |
| NS 1 | DN 100 | 720 | 110 | 1,375 | 1,015 | 945 | 1,130 | 65 | 3301.80.00 |
| NS 2 | DN 150 | 1,465 | 160 | 2,130 | 1,745 | 1,675 | 1,880 | 95 | 3302.80.00 |
| NS 3 | DN 150 | 2,170 | 160 | 2,830 | 2,445 | 2,375 | 2,580 | 127 | 3303.80.00 |

ACO Starch Separator FapuMax P-DA

Extension stage 3

Product information

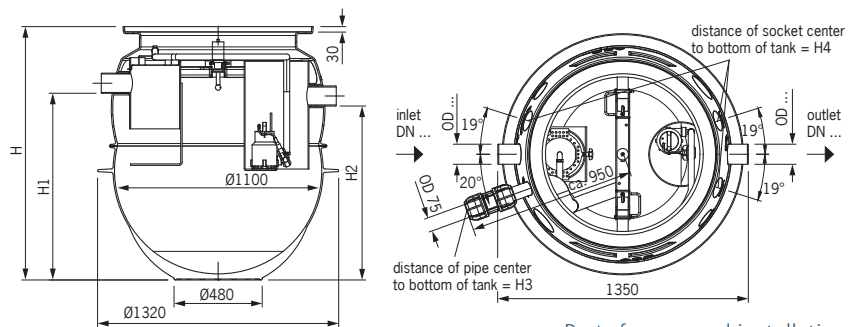
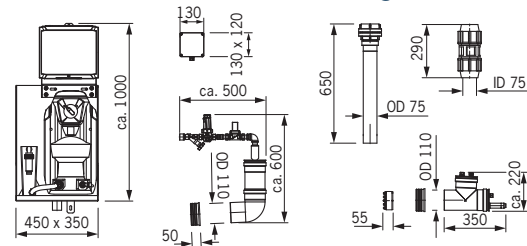
Starch separator of polyethylene for below ground installation

- Inlet and outlet connection according to outside diameter OD depending on nominal size of separator
- Spray power head to rinse off the starch
- Circular pump for operation of the spray shower
- Control unit for operation of circular pump via potato peeling machine
- Disposal via direct suction line DN 65, PN 10, counter flange and Storz-75 B hose quick coupling and blind cover
- Filling device 3/4" with solenoid valve to be installed inside a building with cold water supply
- High pressure internal cleaning
 - High-pressure pump with storage tank to be installed inside a building with cold water supply
 - Automatic program controlled disposal via remote control
 - Nominal pressure: 175 bar
 - Flow rate: 11.6 litre/minute nominal pressure: 175 bar
 - Electrical connection: 400 V/50 Hz/16 A/3.9 kW



Installation example shows ACO FapuMax P-DA NS 1 with a top section for load class B 125

Parts for aboveground installation



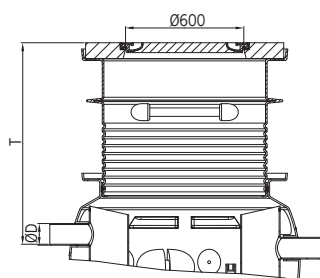
Parts for ground installation

LipuMax P-DA – Order data

Accessories

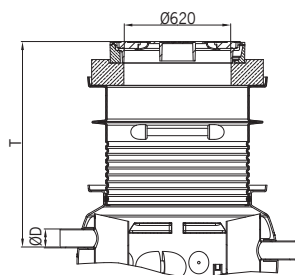
- Sampling pots and extension elements, page 39
 - High-pressure hose, page 41
- Always required for FapuMax P-DA

| Nominal size | Nominal width | Total capacity | OD | H | H1 | H2 | H3 | H4 | Weight | Article No. |
|--------------|---------------|----------------|------|-------|-------|-------|-------|-------|--------|-------------|
| | | [l] | [mm] | [mm] | [mm] | [mm] | [mm] | [mm] | [kg] | [grey] |
| NS 1 | DN 100 | 720 | 110 | 1,375 | 1,015 | 945 | 1,150 | 1,130 | 125 | 3301.83.00 |
| NS 2 | DN 150 | 1,465 | 160 | 2,130 | 1,745 | 1,675 | 1,900 | 1,880 | 155 | 3302.83.00 |
| NS 3 | DN 150 | 2,170 | 160 | 2,830 | 2,445 | 2,375 | 2,600 | 2,580 | 187 | 3303.83.00 |

Top section 800, load class A 15 – Order data

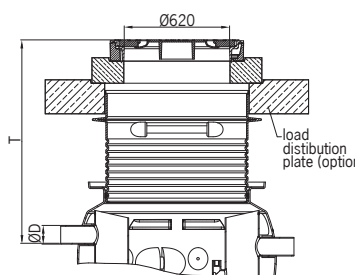
- Load class A 15 according to EN 124
- Frame from concrete, cover from cast iron
- Clear opening Ø 600 mm
- Cover odour proof sealed
- Raising tube from polyethylene
(only included with top section 3300.14.01 and 3300.14.02)

| | NS 1 | NS 2 | NS 3 | Weight | Article No. |
|------------------|-----------|-----------|-----------|--------|-------------|
| | | | | [kg] | [grey] |
| T [mm] | 425 | 450 | 450 | 142 | 3300.14.00 |
| | 760–1,040 | 785–1,065 | 785–1,065 | 170 | 3300.14.01 |
| | 760–2,030 | 785–1,855 | 785–1,155 | 193 | 3300.14.02 |

Top section 800, load class B 125 – Order data

- Load class B 125 according to EN 124
- Frame from concrete, SAKU cover from polyethylene
- Clear opening Ø 600 mm
- Cover odour proof sealed
- Adapter plate from concrete Ø 1,000 mm x 150 mm
- Raising tube from polyethylene (only included with top section 3300.15.01 and 3300.15.02)

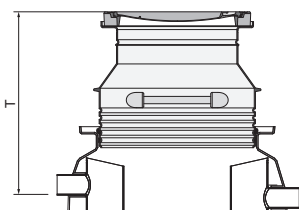
| | NS 1 | NS 2 | NS 3 | Weight | Article No. |
|------------------|-----------|-----------|-----------|--------|-------------|
| | | | | [kg] | [grey] |
| T [mm] | 600 | 625 | 625 | 220 | 3300.15.00 |
| | 935–1,215 | 960–1,240 | 960–1,240 | 307 | 3300.15.01 |
| | 935–2,205 | 960–1,855 | 960–1,155 | 330 | 3300.15.02 |

Top section 800, load class D 400 – Order data

- Load class D 400 according to EN 124
- Frame from concrete, cover from cast iron
- Clear opening Ø 600 mm
- Cover odour proof sealed
- Adapter plate from concrete Ø 1,000 mm x 150 mm
- Raising tube from polyethylene
- Selectively with load distribution plate from concrete
Ø 1,500 mm x 200 mm

| | NS 1 | NS 2 | NS 3 | Weight | Article No. |
|---|-----------|-----------|-----------|--------|-------------|
| | | | | [kg] | [grey] |
| T [mm] without load distribution plate | 935–2,185 | 960–1,855 | 960–1,155 | 330 | 3300.17.00 |
| T [mm] with load distribution plate | 935–2,185 | 960–1,855 | 960–1,155 | 1,030 | 3300.16.00 |

Top section 600, load class A 15 – Order data

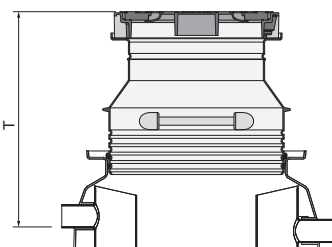


- Load class A 15 according to EN 124
- Frame from concrete, cover from cast iron
- Clear opening Ø 600 mm
- Cover loosely applied
- Raising tube from polyethylene

*installation height can also be achieved with item 3300.34.12

| | NS 1 | NS 2 | NS 3 | Weight [kg] | Article No. [grey] |
|------------------|-----------|-----------|------------|----------------|-----------------------|
| T [mm] | 870–990 | 895–1,015 | 895–1,015 | 107 | 3300.34.11 |
| | 870–1,440 | 895–1,465 | 895–1,155 | 111 | 3300.34.12 |
| | 870–2,020 | 895–1,855 | 895–1,155* | 119 | 3300.34.13 |

Top section 600, load class B 125 – Order data

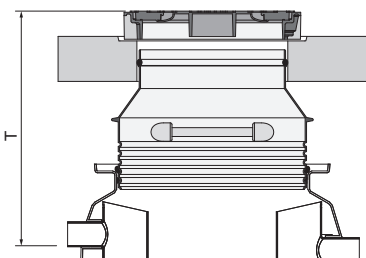


- Load class B 125 according to EN 124
- Frame from concrete, SAKU cover from polyethylene
- Clear opening Ø 600 mm
- Cover loosely applied
- Raising tube from polyethylene

*Installation height can also be achieved with item 3300.35.12

| | NS 1 | NS 3 | NS 3 | Weight [kg] | Article No. [grey] |
|------------------|-----------|-----------|------------|----------------|-----------------------|
| T [mm] | 905–1,025 | 930–1,050 | 930–1,050 | 85 | 3300.35.11 |
| | 905–1,475 | 930–1,500 | 930–1,155 | 89 | 3300.35.12 |
| | 905–2,070 | 930–1,855 | 930–1,155* | 97 | 3300.35.13 |

Top section 600, load class D 400 – Order data



- Load class D 400 according to EN 124
- Frame from concrete, cover from cast iron
- Clear opening Ø 600 mm
- Cover loosely applied
- Raising tube from polyethylene
- Selectively with load distribution plate from concrete
Ø 1,500 mm x 200 mm

| Load distribution plate | Raising tube length | NS 1 | NS 2 | NS 3 | Weight [kg] | Article No. [grey] |
|-------------------------|---------------------|-----------|-----------|-----------|----------------|-----------------------|
| with | short | 915–1,035 | 940–1,060 | 940–1,060 | 850 | 3300.36.08 |
| with | medium | 915–1,485 | 940–1,510 | 940–1,155 | 864 | 3300.36.09 |
| with | long | 915–2,050 | 940–1,855 | 940–1,155 | 870 | 3300.36.10 |
| without | short | 915–1,035 | 940–1,060 | 940–1,060 | 130 | 3300.37.08 |
| without | medium | 915–1,485 | 940–1,510 | 940–1,155 | 144 | 3300.37.09 |
| without | long | 915–2,050 | 940–1,855 | 940–1,155 | 150 | 3300.37.10 |

ACO Light Liquid Separator P-SD

with integrated top section



- For selected Nominal Sizes of light liquid separators
- With integrated raising tube
- Load classes A, B or D
- No buoyancy protection needed if inlet invert does not exceed 800 mm



ACO Light Liquid Separator Oleopator P-SD

Product information

Light liquid separator of polyethylene for below ground installation

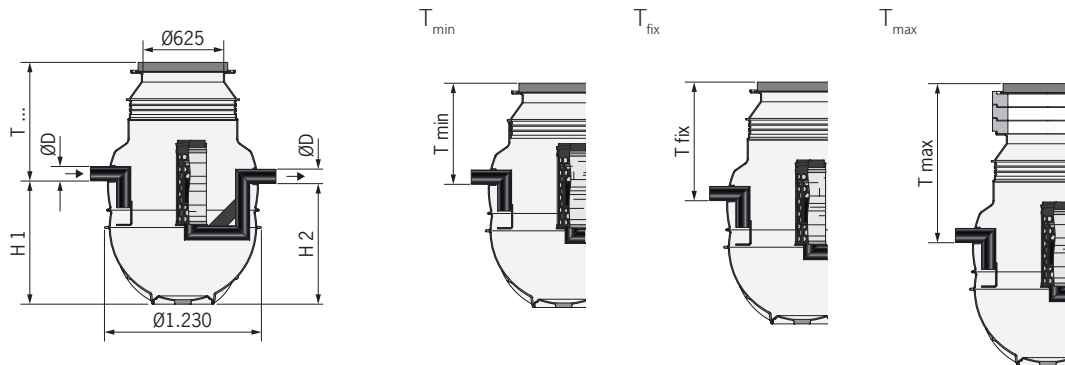
- According to EN 858
- Type test report
 - 7310434-01 (NS 3)
 - 7310434-02 (NS 6)
 - 7310434-03 (NS 8)
 - 7310434-03 (NS 10)
- Inlet and outlet connection according to outside diameter OD depending on Nominal Size of separator
- Inlet and outlet parts of polyethylene
- With integrated removable coalescing filter
- Automatic closure device with float switch, density of float switch: 0.9 g/cm³
- Disposal and cleaning via cover
- With integrally formed raising tube for varying inlet heights
- Optionally upgradable with concrete supporting rings 60, 80 and 100 mm up to inlet invert Tmax



Installation example shows ACO Oleopator P-SD NS 3 for load class B125

Note: Cover (accessory) is not included, page 36

Oleopator P-SD – Order data



| Nominal size | Nominal width | Volume sludge trap [l] | Volume oil storage [l] | Total capacity [l] | OD [mm] | H1 [mm] | H2 [mm] | Class A/B | | | Weight [kg] | Article No. [grey] |
|--------------|---------------|------------------------|------------------------|--------------------|---------|---------|---------|-------------------------|-------------------------|-----------|-------------|--------------------|
| | | | | | | | | Tmin* ¹ [mm] | Tfix* ² [mm] | Tmax [mm] | | |
| NS 3/300 | DN 100 | 380 | 240 | 730 | 110 | 960 | 940 | 845 | 975 | 1,375 | 68 | 3903.40.00 |
| NS 3/600 | DN 100 | 660 | 240 | 1,000 | 110 | 1,230 | 1,210 | 845 | 975 | 1,375 | 79 | 3913.40.00 |
| NS 3/900 | DN 100 | 930 | 240 | 1,270 | 110 | 1,445 | 1,425 | 845 | 975 | 1,375 | 84 | 3923.40.00 |
| NS 6/600 | DN 150 | 700 | 235 | 1,040 | 160 | 1,255 | 1,235 | 815 | 955 | 1,345 | 86 | 3906.40.00 |
| NS 6/1200 | DN 150 | 1,180 | 235 | 1,530 | 160 | 1,740 | 1,720 | 815 | 955 | 1,265 | 101 | 3916.40.00 |
| NS 8/800 | DN 150 | 780 | 260 | 1,250 | 160 | 1,470 | 1,450 | 815 | 955 | 1,345 | 96 | 3908.40.00 |
| NS 10/1000 | DN 150 | 1,060 | 260 | 1,530 | 160 | 1,740 | 1,720 | 815 | 955 | 1,265 | 105 | 3910.40.00 |

*¹ Load class D does not have Tmin

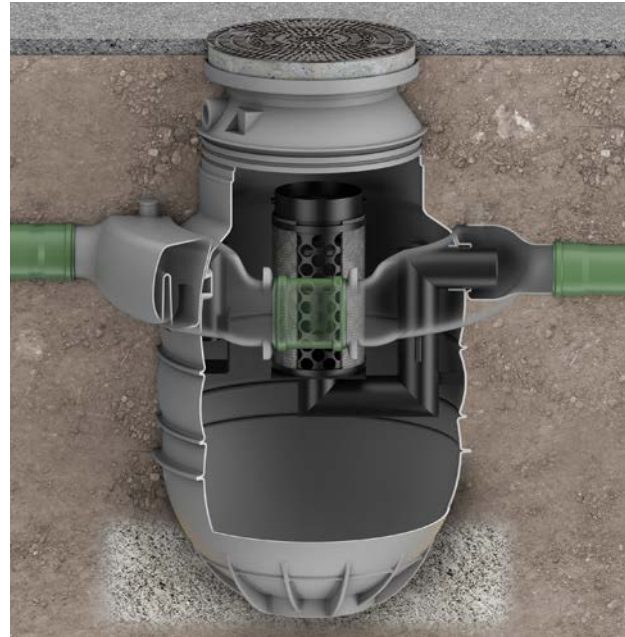
*² Load class A15 and B125 only, for load class D, 270 mm have to be added

ACO Light Liquid Separator Oleopass P-SD

Product information

Light liquid separator of polyethylene for below ground installation

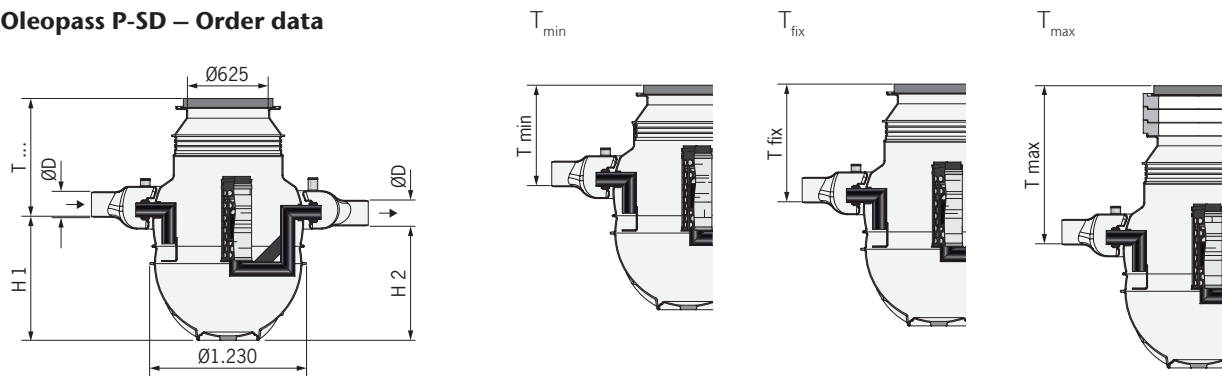
- According to EN 858
- Type test report
 - 7310434-01 (NS 3)
 - 7310434-02 (NS 6)
 - 7310434-03 (NS 8)
 - 7310434-03 (NS 10)
- Inlet and outlet connection according to outside diameter OD depending on Nominal Size of separator
- Inlet and outlet parts of polyethylene
- With integrated removable coalescing filter
- Automatic closure device with float switch, density of float switch: 0.9 g/cm³
- With bypass of polyethylene
- Disposal and cleaning via cover
- With integrally formed raising tube for varying inlet heights
- Optionally upgradable with concrete supporting rings 60, 80 and 100 mm up to inlet invert T_{max}



Installation example shows ACO Oleopass P-SD NS 3 for load class B125

Note: Cover (accessory) is not included, page 36

Oleopass P-SD – Order data



| Nominal size | Total flow rate [l/s] | Nominal width | Volume sludge trap [l] | Volume oil storage | Total capacity [l] | OD [mm] | H1 [mm] | H2 [mm] | Class A/B | | | Weight [kg] | Article No. [grey] |
|--------------|-----------------------|---------------|------------------------|--------------------|--------------------|---------|---------|---------|-------------------------|-------------------------|-----------|-------------|--------------------|
| | | | | | | | | | Tmin* ¹ [mm] | Tfix* ² [mm] | Tmax [mm] | | |
| NS 3/300 | 15 | DN 200 | 380 | 240 | 730 | 200 | 960 | 895 | 845 | 975 | 1,375 | 93 | 3903.41.00 |
| NS 3/600 | 15 | DN 200 | 660 | 240 | 1,000 | 200 | 1,230 | 1,165 | 845 | 975 | 1,375 | 104 | 3913.41.00 |
| NS 3/900 | 30 | DN 200 | 930 | 240 | 1,270 | 200 | 1,445 | 1,380 | 845 | 975 | 1,375 | 109 | 3923.41.00 |
| NS 6/600 | 30 | DN 250 | 700 | 235 | 1,040 | 250 | 1,255 | 1,190 | 815 | 955 | 1,345 | 123 | 3906.41.00 |
| NS 6/1200 | 30 | DN 250 | 1,180 | 235 | 1,530 | 250 | 1,740 | 1,675 | 815 | 955 | 1,265 | 128 | 3916.41.00 |
| NS 8/800 | 50 | DN 250 | 780 | 260 | 1,250 | 250 | 1,470 | 1,405 | 815 | 955 | 1,345 | 124 | 3908.41.00 |
| NS 10/1000 | 50 | DN 250 | 1,060 | 260 | 1,530 | 250 | 1,740 | 1,675 | 815 | 955 | 1,265 | 133 | 3910.41.00 |

*¹ Load class D does not have Tmin

*² Load class A15 and B125 only, for load class D, 270 mm have to be added

ACO Light Liquid Separator P

with separated top section



- For selected Nominal Sizes of light oil separators
- With integrated raising tube
- Load classes A/B or D
- No buoyancy protection needed for load class A/B when inlet invert does not exceed 500 mm
- No buoyancy protection needed for load class D



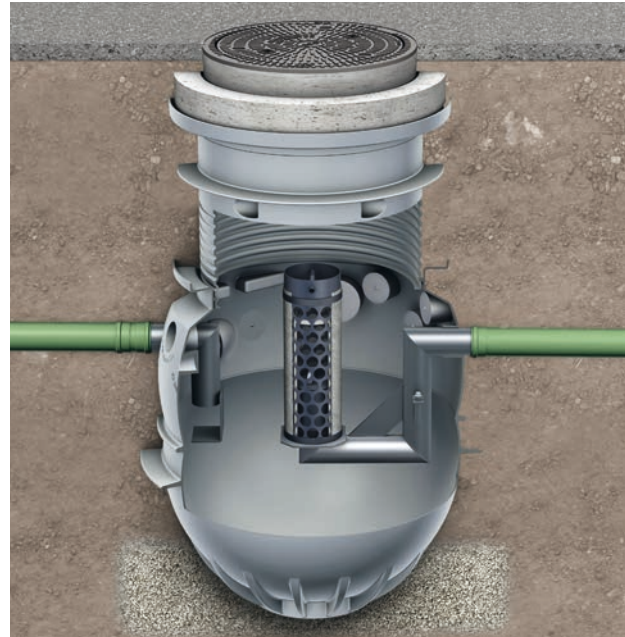
ACO Light Liquid Separator Oleopator P

Class I

Product information

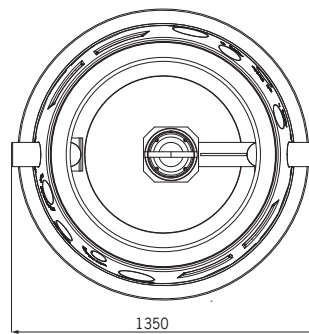
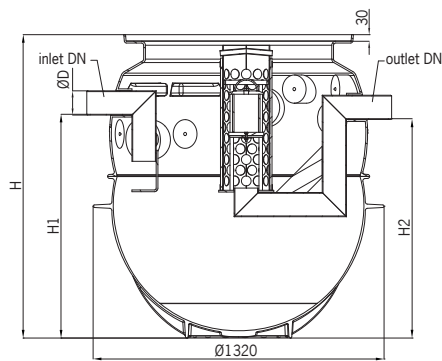
Light liquid separator of polyethylene for below ground installation

- According to EN 858
- Certificate
 - 7310434-01 (NS 3)
 - 7310434-02 (NS 6)
 - 7310434-03 (NS 8)
 - 7310434-03 (NS 10)
- Inlet and outlet connection according to outside diameter OD depending on nominal size of separator
- Inlet and outlet parts of polyethylene
- With integrated removable coalescing filter
- Automatic closure device with float switch, density of float switch: 0.9 g/cm³



Installation example shows ACO Oleopator P NS 3 with a top section unit for load class B 125

Oleopator P – Order data



Accessories

- Sampling pots and extension elements, page 39
- Alarm device, page 41

| Nominal size | Nominal width | Volume sludge trap | Volume oil storage | Total capacity | OD | H | H1 | H2 | Weight | Article No. |
|--------------|---------------|--------------------|--------------------|----------------|-----|-------|-------|-------|--------|-------------|
| | | [l] | [l] | [l] | | | | | | |
| NS 3 | DN 100 | 450 | 240 | 775 | 110 | 1,375 | 1,015 | 995 | 67 | 3903.80.00 |
| NS 3 | DN 100 | 670 | 240 | 995 | 110 | 1,595 | 1,235 | 1,215 | 83 | 3913.80.00 |
| NS 3 | DN 100 | 950 | 240 | 1,280 | 110 | 1,865 | 1,505 | 1,485 | 84 | 3923.80.00 |
| NS 6 | DN 150 | 660 | 235 | 970 | 160 | 1,595 | 1,210 | 1,190 | 91 | 3906.80.00 |
| NS 6 | DN 150 | 1,210 | 235 | 1,525 | 160 | 2,130 | 1,745 | 1,725 | 101 | 3916.80.00 |
| NS 8 | DN 150 | 820 | 260 | 1,250 | 160 | 1,865 | 1,480 | 1,460 | 94 | 3908.80.00 |
| NS 10 | DN 150 | 1,080 | 260 | 1,615 | 160 | 2,130 | 1,745 | 1,725 | 105 | 3910.80.00 |

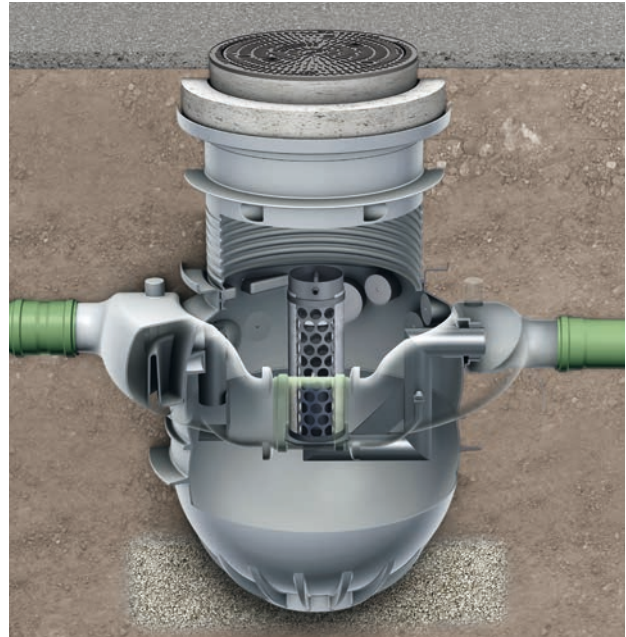
ACO Light Liquid Separator Oleopass P

Class I with bypass

Product information

Light liquid separator of polyethylene for below ground installation

- According to EN 858
- Certificate
 - 7310434-01 (NS 3)
 - 7310434-02 (NS 6)
 - 7310434-03 (NS 8)
 - 7310434-03 (NS 10)
- Inlet and outlet connection according to outside diameter D depending on nominal size of separator
- Inlet and outlet parts of polyethylene
- With integrated removable coalescing filter
- Automatic closure device with float switch, density of float switch: 0.9 g/cm³
- With bypass of polyethylene

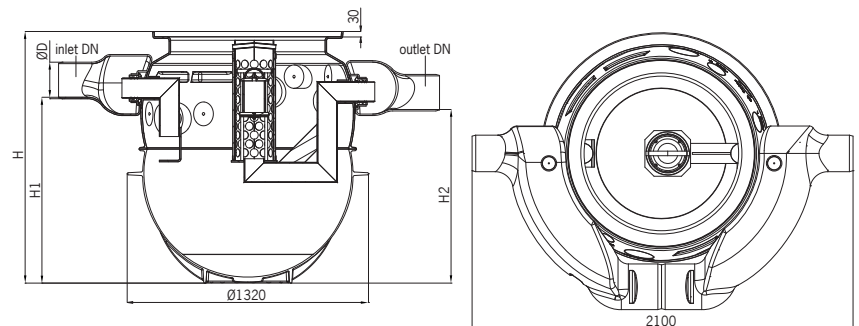


Installation example shows ACO Oleopass P NS 3 with a top section unit for load class B 125 for load class B 125

Oleopass P – Order data

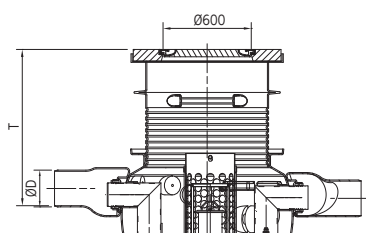
Accessories

- Sampling pots and extension elements, page 39
- Alarm device, page 41



| Nominal size | Nominal width | Total flow rate | Volume sludge trap | Volume oil storage | Total capacity | D | H | H1 | H2 | Weight | Article No. |
|--------------|---------------|-----------------|--------------------|--------------------|----------------|-----|-------|-------|-------|--------|-------------|
| | | | | | | | | | | | |
| NS 3 | DN 200 | 15 | 450 | 240 | 775 | 200 | 1,375 | 1,015 | 945 | 90 | 3903.81.00 |
| NS 3 | DN 200 | 15 | 670 | 240 | 995 | 200 | 1,595 | 1,235 | 1,165 | 106 | 3913.81.00 |
| NS 3 | DN 200 | 15 | 950 | 240 | 1,280 | 200 | 1,865 | 1,505 | 1,435 | 107 | 3923.81.00 |
| NS 6 | DN 250 | 30 | 660 | 235 | 970 | 250 | 1,595 | 1,210 | 1,140 | 114 | 3906.81.00 |
| NS 6 | DN 250 | 30 | 1,210 | 235 | 1,525 | 250 | 2,130 | 1,745 | 1,675 | 124 | 3916.81.00 |
| NS 8 | DN 250 | 50 | 820 | 260 | 1,250 | 250 | 1,865 | 1,480 | 1,410 | 104 | 3908.81.00 |
| NS 10 | DN 250 | 50 | 1,080 | 260 | 1,615 | 250 | 2,130 | 1,745 | 1,675 | 130 | 3910.81.00 |

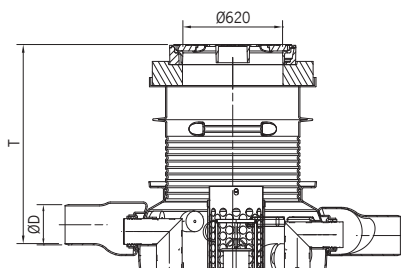
Top section 800, load class A 15 – Order data



- Load class A 15 according to EN 124
- Frame from concrete, cover from cast iron
- Clear opening Ø 600 mm
- Cover loosely applied
- Raising tube from polyethylene (only included with top section 3301.14.01 and 3301.14.02)

| | NS 3 ST 300 | NS 3 ST 600 | NS 3 ST 900 | NS 6 ST 600 | NS 6 ST 1200 | NS 8 ST 800 | NS 10 ST 1000 | Weight [kg] | Article No. [grey] |
|------------------|----------------|----------------|----------------|----------------|-----------------|----------------|------------------|----------------|-----------------------|
| T [mm] | 425 | 425 | 425 | 450 | 450 | 450 | 450 | 145 | 3301.14.00 |
| | 760-1,040 | 760-1,040 | 760-1,040 | 785-1,065 | 785-1,065 | 785-1,065 | 785-1,065 | 170 | 3301.14.01 |
| | 760-2,030 | 760-2,030 | 760-2,030 | 785-2,055 | 785-1,855 | 785-1,520 | 785-1,855 | 193 | 3301.14.02 |

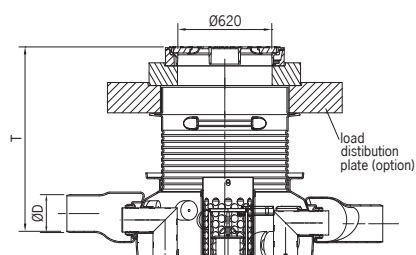
Top section 800, load class B 125 – Order data



- Load class B 125 according to EN 124
- Frame from concrete, SAKU cover from polyethylene
- Clear opening Ø 600 mm
- Cover loosely applied
- Adapter plate from concrete Ø 1,000 mm x 150 mm
- Raising tube from polyethylene (only included with top section 3301.15.01 and 3301.15.02)

| | NS 3 ST 300 | NS 3 ST 600 | NS 3 ST 900 | NS 6 ST 600 | NS 6 ST 1200 | NS 8 ST 800 | NS 10 ST 1000 | Weight [kg] | Article No. [grey] |
|------------------|----------------|----------------|----------------|----------------|-----------------|----------------|------------------|----------------|-----------------------|
| T [mm] | 600 | 600 | 600 | 625 | 625 | 625 | 625 | 237 | 3301.15.00 |
| | 935-1,215 | 935-1,215 | 935-1,215 | 960-1,240 | 960-1,240 | 960-1,240 | 960-1,240 | 262 | 3301.15.01 |
| | 935-2,205 | 935-2,205 | 935-2,205 | 960-2,230 | 960-1,855 | 960-1,520 | 960-1,855 | 285 | 3301.15.02 |

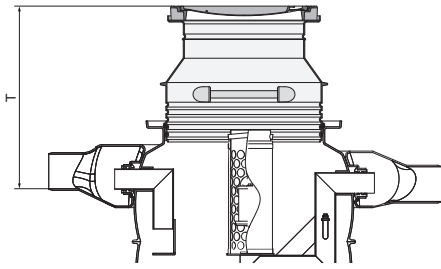
Top section 800, load class D 400 – Order data



- Load class D 400 according to EN 124
- Frame from concrete, cover from cast iron
- Clear opening Ø 600 mm
- Cover loosely applied
- Adapter plate from concrete Ø 1,000 mm x 150 mm
- Raising tube from polyethylene
- Selectively with load distribution plate from concrete Ø 1,500 mm x 200 mm

| | NS 3 ST 300 | NS 3 ST 600 | NS 3 ST 900 | NS 6 ST 600 | NS 6 ST 1200 | NS 8 ST 800 | NS 10 ST 1000 | Weight [kg] | Article No. [grey] |
|---|----------------|----------------|----------------|----------------|-----------------|----------------|------------------|----------------|-----------------------|
| T [mm] without load distribution plate | 935-2,185 | 935-2,185 | 935-2,185 | 960-2,210 | 960-1,855 | 960-1,520 | 960-1,855 | 285 | 3301.17.00 |
| T [mm] with load distribution plate | 935-2,185 | 935-2,185 | 935-2,185 | 960-2,210 | 960-1,855 | 960-1,520 | 960-1,855 | 985 | 3301.16.00 |

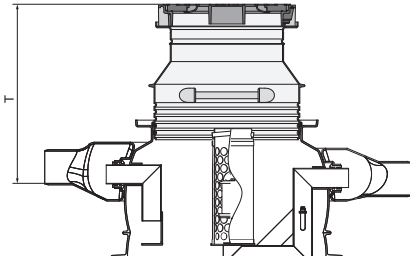
Top section 600, load class A 15 – Order data



- Load class A 15 according to EN 124
- Frame from concrete, cover from cast iron
- Clear opening Ø 600 mm
- Cover loosely applied
- Raising tube from polyethylene

| T [mm] | NS 3 | NS 3 | NS 3 | NS 6 | NS 6 | NS 8 | NS 10 | Weight [kg] | Article No. [grey] |
|-----------|-----------|-----------|-----------|-----------|-----------|-----------|-----------|----------------|-----------------------|
| | ST 300 | ST 600 | ST 900 | ST 600 | ST 550 | ST 800 | ST 1000 | | |
| 870–990 | 870–990 | 870–990 | 870–990 | 895–1,015 | 895–1,015 | 895–1,015 | 895–1,015 | 96 | 3301.34.11 |
| 870–1,440 | 870–1,440 | 870–1,440 | 870–1,440 | 895–1,465 | 895–1,465 | 895–1,465 | 895–1,465 | 104 | 3301.34.12 |
| 870–2,020 | 870–2,020 | 870–2,020 | 870–2,020 | 895–2,045 | 895–1,855 | 895–1,520 | 895–1,855 | 115 | 3301.34.13 |

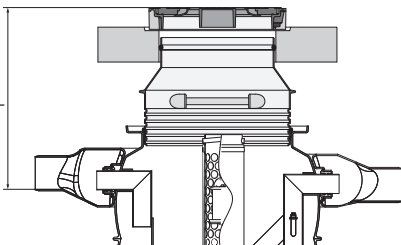
Top section 600, load class B 125 – Order data



- Load class B 125 according to EN 124
- Frame from concrete, SAKU cover from polyethylene
- Clear opening Ø 600 mm
- Cover loosely applied
- Raising tube from polyethylene

| T [mm] | NS 3 | NS 3 | NS 3 | NS 6 | NS 6 | NS 8 | NS 10 | Weight [kg] | Article No. [grey] |
|-----------|-----------|-----------|-----------|-----------|-----------|-----------|-----------|----------------|-----------------------|
| | ST 300 | ST 600 | ST 900 | ST 600 | ST 1200 | ST 800 | ST 1000 | | |
| 905–1,025 | 905–1,025 | 905–1,025 | 905–1,025 | 930–1,050 | 930–1,050 | 930–1,050 | 930–1,050 | 84 | 3301.35.11 |
| 905–1,475 | 905–1,475 | 905–1,475 | 905–1,475 | 930–1,500 | 930–1,500 | 930–1,500 | 930–1,500 | 92 | 3301.35.12 |
| 905–2,070 | 905–2,070 | 905–2,070 | 905–2,070 | 930–2,095 | 930–1,855 | 930–1,520 | 930–1,855 | 103 | 3301.35.13 |

Top section 600, load class D 400 – Order data



- Load class D 400 according to EN 124
- Frame from concrete, cover from cast iron
- Clear opening Ø 600 mm
- Cover loosely applied
- Raising tube from polyethylene
- Selectively with load distribution plate from concrete
Ø 1,500 mm x 200 mm

| Load dis- tribution plate | Raising tube length | NS 3 | NS 3 | NS 3 | NS 6 | NS 6 | NS 8 | NS 10 | Weight [kg] | Article No. [grey] |
|---------------------------------|---------------------------|-----------|-----------|-----------|-----------|-----------|-----------|-----------|----------------|-----------------------|
| | | ST 300 | ST 600 | ST 900 | ST 600 | ST 1200 | ST 800 | ST 1000 | | |
| with | short | 915–1,035 | 915–1,035 | 915–1,035 | 940–1,060 | 940–1,060 | 940–1,060 | 940–1,060 | 814 | 3301.36.08 |
| with | medium | 915–1,485 | 915–1,485 | 915–1,485 | 940–1,510 | 940–1,510 | 940–1,510 | 940–1,510 | 822 | 3301.36.09 |
| with | long | 915–2,050 | 915–2,050 | 915–2,050 | 940–2,075 | 940–1,855 | 940–1,520 | 940–1,855 | 834 | 3301.36.10 |
| without | short | 915–1,035 | 915–1,035 | 915–1,035 | 940–1,060 | 940–1,060 | 940–1,060 | 940–1,060 | 85 | 3301.37.08 |
| without | medium | 915–1,485 | 915–1,485 | 915–1,485 | 940–1,510 | 940–1,510 | 940–1,510 | 940–1,510 | 93 | 3301.37.09 |
| without | long | 915–2,050 | 915–2,050 | 915–2,050 | 940–2,075 | 940–1,855 | 940–1,520 | 940–1,855 | 105 | 3301.37.10 |

ACO Sludge Traps P-SD

with integrated top section



- For selected Nominal Sizes of sludge traps
- With integrated raising tube
- Load classes A, B or D
- No buoyancy protection needed if inlet invert does not exceed 800 mm



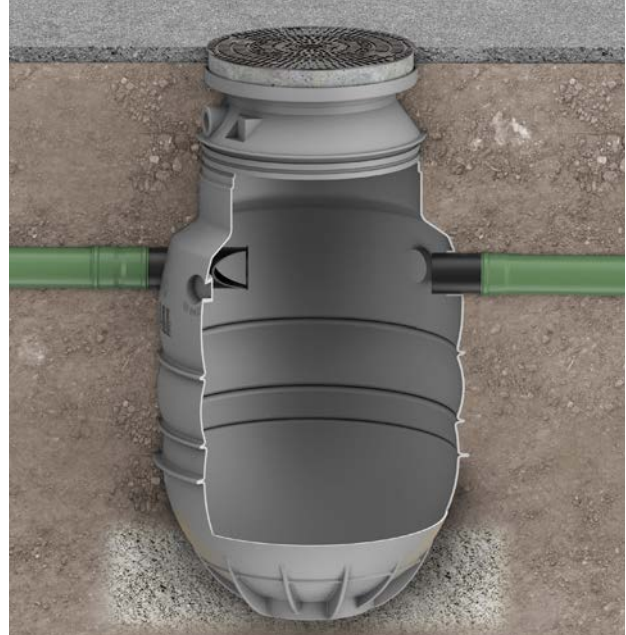
ACO Sludge Trap P-SD

Product information

Sludge trap of polyethylene for below ground installation

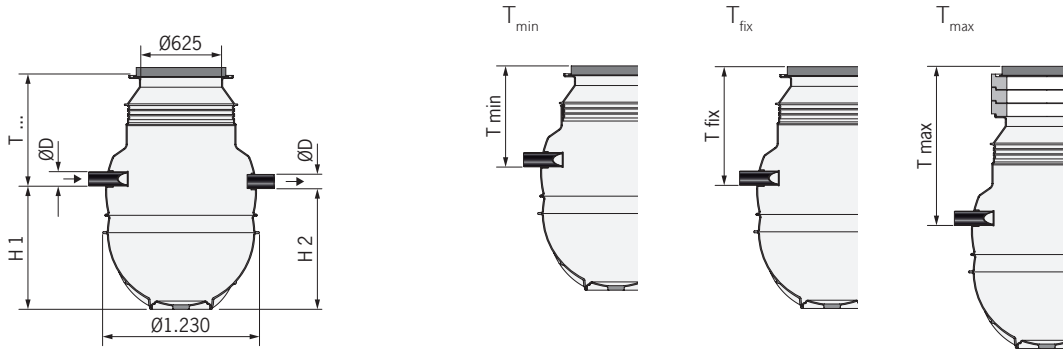
- Inlet and outlet connection depending on size of sludge trap
- Inlet and outlet parts of polyethylene
- Different volumes/capacities available
- Disposal and cleaning via cover
- With integrally formed raising tube for varying inlet heights
- Optionally upgradable with concrete supporting rings 60, 80 and 100 mm up to inlet invert T_{max}

Note: Cover (accessory) is not included



Installation example shows ACO Sludge Trap P-SD for load class B125

Sludge Traps P-SD – Order data



46

| Nominal size | Nominal width | Total capacity [l] | OD [mm] | H1 [mm] | H2 [mm] | Class A/B | | | Weight [kg] | Article No. [grey] |
|--------------|---------------|--------------------|---------|---------|---------|--------------------------------------|--------------------------------------|-----------------------|-------------|--------------------|
| | | | | | | T _{min} * ¹ [mm] | T _{fix} * ² [mm] | T _{max} [mm] | | |
| P 750 | DN 100 | 730 | 110 | 960 | 940 | 840 | 975 | 1,375 | 68 | 3900.40.11 |
| P 1000 | DN 150 | 1,040 | 160 | 1,260 | 1,240 | 830 | 960 | 1,330 | 71 | 3900.40.02 |
| P 1000 | DN 100 | 1,010 | 110 | 1,230 | 1,210 | 855 | 985 | 1,360 | 70 | 3900.40.12 |
| P 1250 | DN 150 | 1,250 | 160 | 1,470 | 1,450 | 830 | 960 | 1,330 | 77 | 3900.40.03 |
| P 1250 | DN 100 | 1,270 | 110 | 1,495 | 1,475 | 855 | 985 | 1,355 | 76 | 3900.40.13 |
| P 1500 | DN 150 | 1,530 | 160 | 1,740 | 1,720 | 830 | 960 | 1,260 | 86 | 3900.40.04 |

*¹ Load class D does not have T_{min}

*² Load class A15 and B125 only, for load class D, 270 mm have to be added

ACO Sludge Traps P

with separated top section



- For selected Nominal Sizes of sludge traps
- With integrated raising tube
- Load classes A/B or D
- No buoyancy protection needed for load class A/B when inlet invert does not exceed 500 mm
- No buoyancy protection needed for load class D

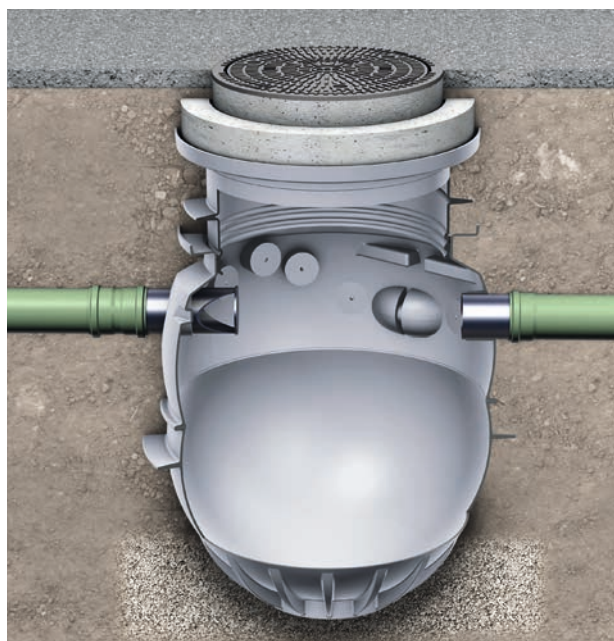


ACO Sludge Trap P

Product information

Sludge trap of polyethylene for below ground installation

- Inlet and outlet connection according to outside diameter D depending on nominal size of separator
- Inlet and outlet parts of polyethylene
- Different volumes/capacities available

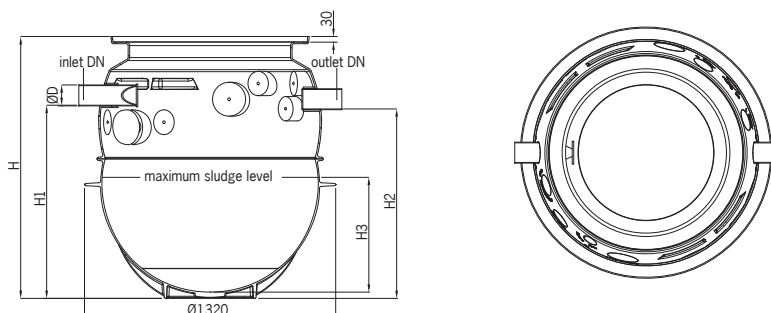


Installation example shows ACO Sludge Trap P 750 with a top section unit for load class B 125

Sludge Trap P – Order data

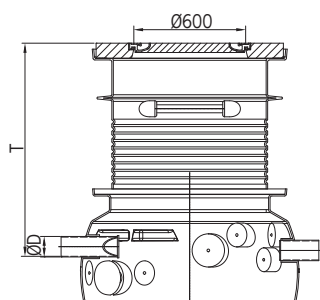
Accessories

- Sampling pots and extension elements, page 39



| Type | Nominal width | Total capacity | D | H | H1 | H2 | H3 | Weight | Article No. |
|--------|---------------|----------------|-----|-------|-------|-------|-----|--------|-------------|
| | | | | | | | | | |
| P 750 | DN 150 | 750 | 160 | 1,375 | 990 | 970 | 540 | 59 | 3900.00.01 |
| P 750 | DN 100 | 780 | 110 | 1,375 | 1,015 | 995 | 560 | 59 | 3900.00.11 |
| P 1000 | DN 150 | 975 | 160 | 1,595 | 1,210 | 1,190 | 680 | 75 | 3900.00.02 |
| P 1000 | DN 100 | 1,000 | 110 | 1,595 | 1,235 | 1,215 | 700 | 74 | 3900.00.12 |
| P 1250 | DN 150 | 1,255 | 160 | 1,865 | 1,480 | 1,460 | 830 | 75 | 3900.00.03 |
| P 1250 | DN 100 | 1,280 | 110 | 1,865 | 1,505 | 1,485 | 850 | 74 | 3900.00.13 |
| P 1500 | DN 150 | 1,530 | 160 | 2,130 | 1,745 | 1,725 | 930 | 85 | 3900.00.04 |
| P 1500 | DN 100 | 1,550 | 110 | 2,130 | 1,770 | 1,750 | 950 | 84 | 3900.00.14 |

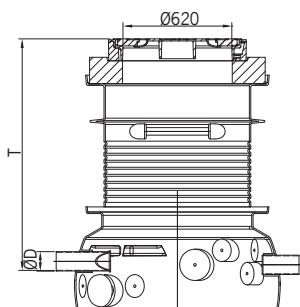
Top section 800, load class A 15 – Order data



- Load class A 15 according to EN 124
- Frame from concrete, cover from cast iron
- Clear opening Ø 600 mm
- Cover loosely applied
- Raising tube from polyethylene (only included with top section 3301.14.01 and 3301.14.02)

| | P 750 DN 100 | P 750 DN 150 | P 1000 DN 100 | P 1000 DN 150 | P 1250 DN 100 | P 1250 DN 150 | P 1500 DN 100 | P 1500 DN 150 | Weight [kg] | Article No. [grey] |
|---------------|-----------------|-----------------|------------------|------------------|------------------|------------------|------------------|------------------|----------------|-----------------------|
| T | 425 | 450 | 425 | 450 | 425 | 450 | 425 | 450 | 145 | 3301.14.00 |
| T [mm] | 760-1,040 | 785-1,065 | 760-1,040 | 785-1,065 | 760-1,040 | 785-1,065 | 760-1,040 | 785-1,065 | 170 | 3301.14.01 |
| | 760-2,030 | 785-2,055 | 760-2,030 | 785-2,055 | 760-2,030 | 785-2,055 | 760-1,830 | 785-1,855 | 193 | 3301.14.02 |

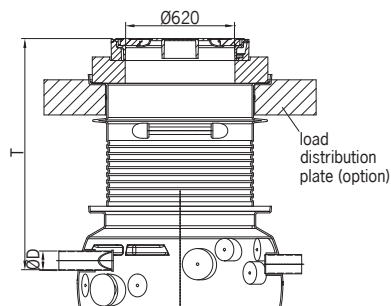
Top section 800, load class B 125 – Order data



- Load class B 125 according to EN 124
- Frame from concrete, SAKU cover from polyethylene
- Clear opening Ø 600 mm
- Cover loosely applied
- Adapter plate from concrete Ø 1,000 mm x 150 mm
- Raising tube from polyethylene (only included with top section 3301.15.01 and 3301.15.02)

| | P 750 DN 100 | P 750 DN 150 | P 1000 DN 100 | P 1000 DN 150 | P 1250 DN 100 | P 1250 DN 150 | P 1500 DN 100 | P 1500 DN 150 | Weight [kg] | Article No. [grey] |
|---------------|-----------------|-----------------|------------------|------------------|------------------|------------------|------------------|------------------|----------------|-----------------------|
| T | 600 | 625 | 600 | 625 | 600 | 625 | 600 | 625 | 282 | 3301.15.00 |
| T [mm] | 935-1,215 | 960-1,240 | 935-1,205 | 960-1,240 | 935-1,205 | 960-1,240 | 935-1,205 | 960-1,240 | 307 | 3301.15.01 |
| | 935-2,205 | 960-2,230 | 935-2,205 | 960-2,230 | 935-2,205 | 960-2,230 | 935-1,830 | 96-1,855 | 330 | 3301.15.02 |

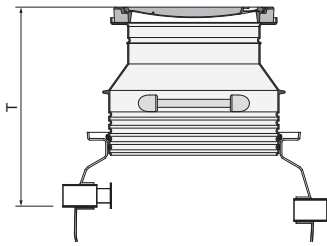
Top section 800, load class D 400 – Order data



- Load class D 400 according to EN 124
- Frame from concrete, cover from cast iron
- Clear opening Ø 600 mm
- Cover loosely applied
- Adapter plate from concrete Ø 1,000 mm x 150 mm
- Raising tube from polyethylene
- Selectively with load distribution plate from concrete Ø 1,500 mm x 200 mm

| | P 750 DN 100 | P 750 DN 150 | P 1000 DN 100 | P 1000 DN 150 | P 1250 DN 100 | P 1250 DN 150 | P 1500 DN 100 | P 1500 DN 150 | Weight [kg] | Article No. [grey] |
|---|-----------------|-----------------|------------------|------------------|------------------|------------------|------------------|------------------|----------------|-----------------------|
| T [mm] without load distribution plate | 935-2,185 | 960-2,210 | 935-2,185 | 960-2,210 | 935-2,185 | 960-2,210 | 935-1,830 | 960-1,855 | 330 | 3301.17.00 |
| T [mm] with load distribution plate | 935-2,185 | 960-2,210 | 935-2,185 | 960-2,210 | 935-2,185 | 960-2,210 | 935-1,830 | 960-1,855 | 1,030 | 3301.16.00 |

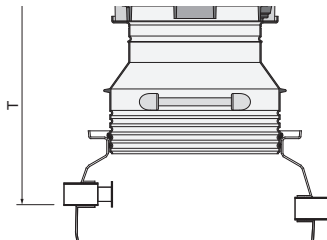
Top section 600, load class A 15 – Order data



- Load class A 15 according to EN 124
- Frame from concrete, cover from cast iron
- Clear opening Ø 600 mm
- Cover loosely applied
- Raising tube from polyethylene

| | P 750 | P 750 | P 1000 | P 1000 | P 1250 | P 1250 | P 1500 | P 1500 | Weight | Article No. |
|--------|-----------|-----------|-----------|-----------|-----------|-----------|-----------|-----------|--------|-------------|
| | DN 100 | DN 150 | DN 100 | DN 150 | DN 100 | DN 150 | DN 100 | DN 150 | | |
| T [mm] | 870-990 | 895-1,015 | 870-990 | 895-1,015 | 870-990 | 895-1,015 | 870-990 | 895-1,015 | [kg] | [grey] |
| | 870-1,440 | 895-1,465 | 870-1,440 | 895-1,465 | 870-1,440 | 895-1,465 | 870-1,440 | 895-1,465 | 96 | 3301.34.11 |
| | 870-2,020 | 895-2,045 | 870-2,020 | 895-2,045 | 870-2,020 | 895-2,045 | 870-1,830 | 895-1,855 | 104 | 3301.34.12 |
| | | | | | | | | | 115 | 3301.34.13 |

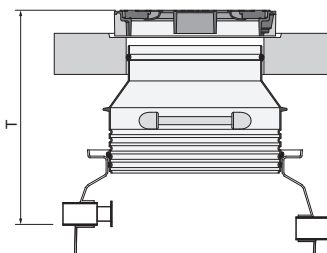
Top section 600, load class B 125 – Order data



- Load class B 125 according to EN 124
- Frame from concrete, SAKU cover from polyethylene
- Clear opening Ø 600 mm
- Cover loosely applied
- Adapter plate from concrete Ø 1,000 mm x 150 mm
- Raising tube from polyethylene

| | P 750 | P 750 | P 1000 | P 1000 | P 1250 | P 1250 | P 1500 | P 1500 | Weight | Article No. |
|--------|-----------|-----------|-----------|-----------|-----------|-----------|-----------|-----------|--------|-------------|
| | DN 100 | DN 150 | DN 100 | DN 150 | DN 100 | DN 150 | DN 100 | DN 150 | | |
| T [mm] | 905-1,025 | 930-1,050 | 905-1,025 | 930-1,050 | 905-1,025 | 930-1,050 | 905-1,025 | 930-1,050 | [kg] | [grey] |
| | 905-1,475 | 930-1,500 | 905-1,475 | 930-1,500 | 905-1,475 | 930-1,500 | 905-1,475 | 930-1,500 | 84 | 3301.35.11 |
| | 905-2,070 | 930-2,095 | 905-2,070 | 930-2,095 | 905-2,070 | 930-2,095 | 905-1,830 | 930-1,855 | 92 | 3301.35.12 |
| | | | | | | | | | 103 | 3301.35.13 |




Top section 600, load class D 400 – Order data









- Load class D 400 according to EN 124
- Frame from concrete, cover from cast iron
- Clear opening Ø 600 mm
- Cover loosely applied
- Raising tube from polyethylene
- Selectively with load distribution plate from concrete Ø 1,500 mm x 200 mm






| Load distribution plate | Raising tube length | P 750 | P 750 | P 1000 | P 1000 | P 1250 | P 1250 | P 1500 | P 1500 | Weight | Article No. |
|-------------------------|---------------------|-----------|-----------|-----------|-----------|-----------|-----------|----------|-----------|--------|-------------|
| | | DN 100 | DN 150 | DN 100 | DN 150 | DN 100 | DN 150 | DN 100 | DN 150 | | |
| | | | | | | | | | | [kg] | [grey] |
| with | short | 915-1,035 | 940-1,060 | 915-1,035 | 940-1,060 | 915-1,035 | 940-1,060 | 915-1035 | 940-1,060 | 814 | 3301.36.08 |
| with | medium | 915-1,485 | 940-1,510 | 915-1,485 | 940-1,510 | 915-1,485 | 940-1,510 | 915-1485 | 940-1,510 | 822 | 3301.36.09 |
| with | long | 915-2,050 | 940-2,075 | 915-2,050 | 940-2,075 | 915-2,050 | 940-2,075 | 915-1830 | 940-1,855 | 834 | 3301.36.10 |
| without | short | 915-1,035 | 940-1,060 | 915-1,035 | 940-1,060 | 915-1,035 | 940-1,060 | 915-1035 | 940-1,060 | 85 | 3301.37.08 |
| without | medium | 915-1,485 | 940-1,510 | 915-1,485 | 940-1,510 | 915-1,485 | 940-1,510 | 915-1485 | 940-1,510 | 93 | 3301.37.09 |
| without | long | 915-2,050 | 940-2,075 | 915-2,050 | 940-2,075 | 915-2,050 | 940-2,075 | 915-1830 | 940-1,855 | 105 | 3301.37.10 |

Accessories

| | Product description | suitable for | Model | Article No. |
|---|--|---|-------|--|
|  | <ul style="list-style-type: none"> ■ Cover load class A according to EN 124 ■ Cover from concrete, frame from cast iron, odour-proof, unlocked | <ul style="list-style-type: none"> ■ LipuMax P-SD | – | 0155.26.36 |
|  | <ul style="list-style-type: none"> ■ Cover load class B according to EN 124 ■ Cover and frame from concrete and cast iron, odour-proof, locked | <ul style="list-style-type: none"> ■ LipuMax P-SD | – | 0150.72.72 (Haustechnik) 701739 (Tabor) |
|  | <ul style="list-style-type: none"> ■ Cover load class D according to EN 124 ■ Cover from cast iron, odour-proof, locked | <ul style="list-style-type: none"> ■ LipuMax-P-SD | | 0150.69.52 |
|  | <ul style="list-style-type: none"> ■ Cover load class D according to EN 124 ■ Cover and frame from concrete and cast iron, odour-proof | <ul style="list-style-type: none"> ■ LipuMax P-SD | | 701738 (Tabor) |
|  | <ul style="list-style-type: none"> ■ Cover load class A according to EN 124 ■ Cover from concrete, frame from cast iron, unlocked | <ul style="list-style-type: none"> ■ Oleopator / Oleopass P-SD ■ Sludge Trap P-SD | – | 0150.65.36 |
|  | <ul style="list-style-type: none"> ■ Cover load class B according to EN 124 ■ Cover and frame from concrete and cast iron, unlocked | <ul style="list-style-type: none"> ■ Oleopator / Oleopass P-SD ■ Sludge Trap P-SD | – | 0150.72.71 (Haustechnik) 701740 (Tabor) |
|  | <ul style="list-style-type: none"> ■ Cover load class D according to EN 124 ■ Cover from cast iron, unlocked | <ul style="list-style-type: none"> ■ Oleopator / Oleopass-P-SD ■ Sludge Trap P-SD | | 0150.69.51 |
| | <ul style="list-style-type: none"> ■ Cover load class D according to EN 124 ■ Cover and frame from concrete and cast iron, unlocked | <ul style="list-style-type: none"> ■ Oleopator / Oleopass P-SD ■ Sludge Trap P-SD | | 701737 (Tabor) |

| | Product description | suitable for | Model | Article No. |
|---|---|--|---------------|-----------------------------|
|  | <ul style="list-style-type: none"> ■ Concrete supporting rings for increasing inlet invert with separators of all types | <ul style="list-style-type: none"> ■ All variations | ARV 625 x 60 | 8700.20.00 (Haustechnik) |
| | | | ARV 625 x 80 | 742011 (Tabor) |
| | | | ARV 625 x 100 | 8700.20.10 (Haustechnik) |
| | | | | 742012 (Tabor) |
| | | | | 8700.20.20 (Haustechnik) |
| | | | | 742013 (Tabor) |
|  | <ul style="list-style-type: none"> ■ Sampling equipment for grease separators / light liquid separators / starch separators for below ground installation. Sampling equipment consisting of manual pump and suction coupling, connecting hose and suction coupling and bolt connection ■ Suitable for inlet invert maximum T = 3,000 mm | <ul style="list-style-type: none"> ■ All variations | — | 8800.00.10 (Haustechnik) |
| | | | | 701246 (Tabor) |
|  | <ul style="list-style-type: none"> ■ Combination ring between shaft and raising tube | <ul style="list-style-type: none"> ■ LipuMax P-SD ■ Oleopator / Oleopass P-SD ■ Sludge Trap P-SD | — | 0150.72.63 |
|  | <ul style="list-style-type: none"> ■ Flat seal between cover and separator | <ul style="list-style-type: none"> ■ Oleopator / Oleopass P-SD (optional) ■ Sludge Trap P-SD (optional) ■ Tip: LipuMax P-SD inclusive | — | 0150.66.83 |
|  | <ul style="list-style-type: none"> ■ Adapter ring from plastic for load class D | <ul style="list-style-type: none"> ■ LipuMax-P-SD ■ Oleopator / Oleopass-P-SD series ■ Sludge Trap P-SD | — | 0150.73.62 (Haustechnik) |
| | | | | 418879 (Tabor) |
|  | <ul style="list-style-type: none"> ■ Load distribution plate from concrete for load class D | <ul style="list-style-type: none"> ■ LipuMax-P-SD ■ Oleopator / Oleopass-P-SD series ■ Sludge Trap P-SD | — | 0178.07.67 (Haustechnik) |
| | | | | M01456 (Tabor) |

| | Product description | suitable for | Model | Article No. |
|---|---|---|------------------------------|--------------------|
|  | <ul style="list-style-type: none"> ■ Sampling shaft ■ From polyethylene, diameter 450 mm ■ For below ground installations, downstream grease separators/ starch separators ■ With cast iron / concrete cover for load class B 125 ■ Odour proof | <ul style="list-style-type: none"> ■ All variations | DN 100, with 160 mm gradient | 3300.13.10 |
| | | | DN 100, with 30 mm gradient | 3300.13.11 |
| | | | DN 150, with 160 mm gradient | 3300.13.20 |
| | | | DN 150, with 75 mm gradient | 3300.13.21 |
|  | <ul style="list-style-type: none"> ■ Sampling shaft with load distribution plate ■ From polyethylene, diameter 450 mm ■ For below ground installations, downstream grease separators/ starch separators ■ With cast iron / concrete cover for load class D 400 ■ Odour proof | <ul style="list-style-type: none"> ■ All variations | DN 100, with 160 mm gradient | 3300.13.15 |
| | | | DN 100, with 30 mm gradient | 3300.13.16 |
| | | | DN 150, with 160 mm gradient | 3300.13.25 |
| | | | DN 150, with 75 mm gradient | 3300.13.26 |
|  | <ul style="list-style-type: none"> ■ Extension element ■ From polyethylene ■ For install aforementioned sampling shaft at a deeper position ■ Extension height 100 to 650 mm ■ Can be shortened at 45 mm intervals by cutting at the cutting marks | <ul style="list-style-type: none"> ■ All variations | — | 3300.13.00 |
|  | <ul style="list-style-type: none"> ■ Disposal shaft ■ Made from plastic ■ Material polyethylene ■ With BEGU-Cover ■ Clear opening: 450 mm ■ Load class: B 125 ■ Inscription “Abscheiderentleerung/ Separator Discharge” ■ Weight: 120 kg | <ul style="list-style-type: none"> ■ LipuMax P-D, -DM, -DA ■ FapuMax P-DA | — | 3300.30.00 |
|  | <ul style="list-style-type: none"> ■ Disposal shaft with load distribution plate ■ Protection against upwelling ■ Made from plastic ■ Material polyethylene ■ With BEGU-Cover ■ Clear opening: 450 mm ■ Load class: D 400 ■ Inscription “Abscheiderentleerung/ Separator Discharge” ■ Weight: 520 kg | <ul style="list-style-type: none"> ■ LipuMax P-D, -DM, -DA ■ FapuMax P-DA | — | 3300.30.01 |

| | Product description | suitable for | Model | Article No. |
|---|--|---|---------------------------------------|--|
|  | <ul style="list-style-type: none"> ■ Extension ■ Used with disposal shaft ■ Made from plastic ■ Material polyethylene ■ For fitting on upstream sampling shaft ■ For deep installations ■ Structure height: 100 – 650 mm (can be reduced to 45 mm by cutting off at cutting marks) ■ Weight: 12 kg | <ul style="list-style-type: none"> ■ LipuMax P-D, -DM, -DA ■ FapuMax P-DA | – | 3301.31.00 |
|  | <ul style="list-style-type: none"> ■ Grease level sensor ■ Measuring device for grease layer thickness for grease separators for below ground installation. Suitable for liquid and hardening fats. Device with two dry contacts for report of filling status 50 % and 80 % to Building Monitoring System ■ With heated sensor head for save operation electrical connection: 230 V AC / 50 Hz / 12 W | <ul style="list-style-type: none"> ■ LipuMax P, -P-SD | Cable length: 10 m 20 m 30 m | 3300.11.70 3300.11.71 3300.11.72 |
|  | <ul style="list-style-type: none"> ■ High-pressure hose ■ For connection between high-pressure pump (installed inside a building) and spray head of grease separator / starch separator (LipuMax-P-DM / DA and FapuMax-P-DA series) | <ul style="list-style-type: none"> ■ LipuMax P-DM, -DA ■ FapuMax P-DA | Length: 10 m 20 m 30 m | 0150.33.62 0150.33.63 0150.33.64 |
|  | <ul style="list-style-type: none"> ■ Connection box ■ From stainless steel ■ Material grade 316 ■ For wall-mounted installation of disposal connection DN 65 ■ W x H x D = 370 x 330 x 250 mm | <ul style="list-style-type: none"> ■ LipuMax P-D, -DM, -DA ■ FapuMax P-DA | – | 7601.80.20 |
|  | <ul style="list-style-type: none"> ■ Flush-mounted frame ■ From stainless steel ■ Material grade 304 ■ W x H x D = 421 x 381 x 25 mm ■ Suitable for connection box 7601.80.20 | <ul style="list-style-type: none"> ■ LipuMax P-D, -DM, -DA ■ FapuMax P-DA | – | 7601.80.21 |

| | Product description | suitable for | Model | Article No. |
|--|--|--|------------------------------|-------------|
|  | <ul style="list-style-type: none"> ■ Alarm device ■ For light oil separators P series, enables combined or separated control of oil, sludge and liquid level electrical connection: 230 V/50–60 Hz ■ IP 67 ■ Cable connection: 5 m | <ul style="list-style-type: none"> ■ Oleopator/Oleopass P | Oil and liquid level control | 6751.66.51 |
| | <ul style="list-style-type: none"> ■ Cable extensions: 1 cable, 20 m | | | |
|  | <ul style="list-style-type: none"> ■ Alarm device ■ For light oil separators P-SD series, enables combined or separated control of oil, sludge and liquid level ■ Electrical connection: 230 V/50–60 Hz ■ IP 67 ■ Cable connection: 5 m | <ul style="list-style-type: none"> ■ Oleopator/Oleopass P-SD | Oil and liquid level control | 6751.66.52 |
| | <ul style="list-style-type: none"> ■ Cable extensions: 1 cable, 20 m | | | |
| | <ul style="list-style-type: none"> ■ Sludge level sensor ■ For all alarm devices | <ul style="list-style-type: none"> ■ Oleopator/Oleopass P, -P-SD | — | 6752.10.00 |
|  | <ul style="list-style-type: none"> ■ DN 100 ■ Sealing ring for ventilation ■ For all grease and light oil separators and sludge traps P series | <ul style="list-style-type: none"> ■ LipuMax P ■ Oleopator/Oleopass P ■ FapuMax P | — | 0150.34.32 |

ACO. we care for water

Intelligent drainage systems from ACO increasingly use smart technology to ensure that rainwater and wastewater are drained, or temporarily stored. With innovative separation and filter technology, we prevent water contamination. We accept the challenge of reusing water, and thus establishing a resource-saving cycle.

Add here your local address

