

## Installation manual

# ACO Access Covers

UNIFACE GS/SS Assist  
UNIFACE AL Assist  
PAVING Assist  
SOLID Assist

**ENG** Installation Manual

**GER** Installationsanleitung

**FRA** Instructions d'installation

**ESP** Manual De Instalación

**POR** Manual de Instalação

**ITA** Manuale d'installazione

**NLD** Installatiehandleiding

**CZE** Instalační manuál

**RUS** Инструкция По Установке

**SWE** Installationsanvisning

**NOR** Installasjons Manual

**FIN** Asennusohje

**DAN** Installationsvejledning

**EST** Paigaldusjuhend

**LAV** Uzstādīšanas instrukcija

**LIT** Montavimo instrukcija

**POL** Instrukcja montażu

**BUL** Инструкции за инсталация

**HUN** Beépítési útmutató

**RUM** Instrucțiuni de instalare

**HRV** Upute za ugradnju

**SLV** Navodila za vgradnjo

**SRP** Preporuka za ugradnju

**TUR** Montaj kılavuzu

A

AAC UNIFACE GS/SS ASSIST



B

AAC UNIFACE AL ASSIST



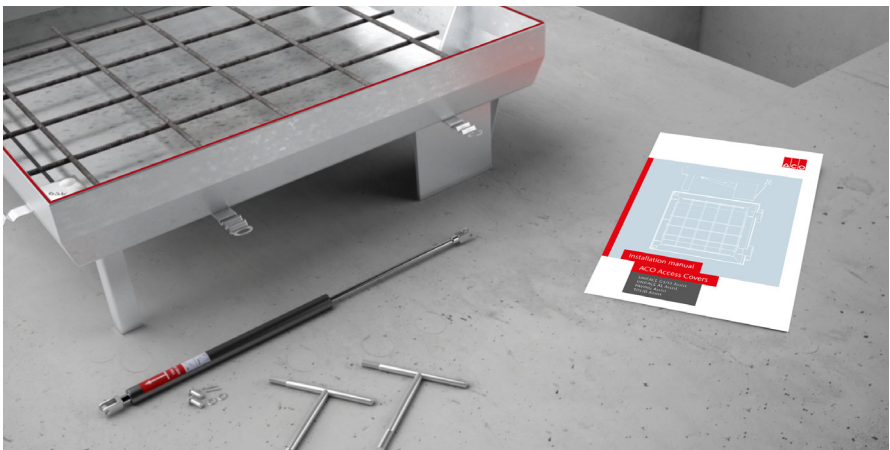
C

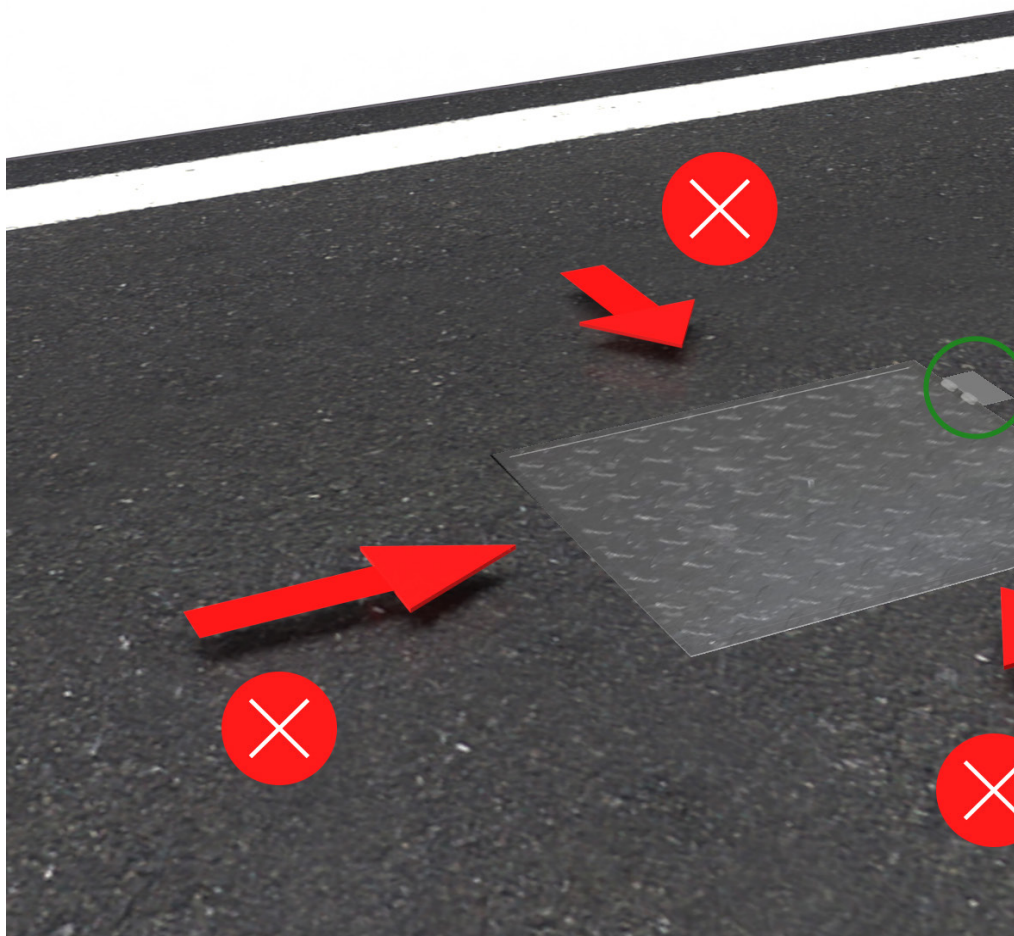
AAC PAVING ASSIST

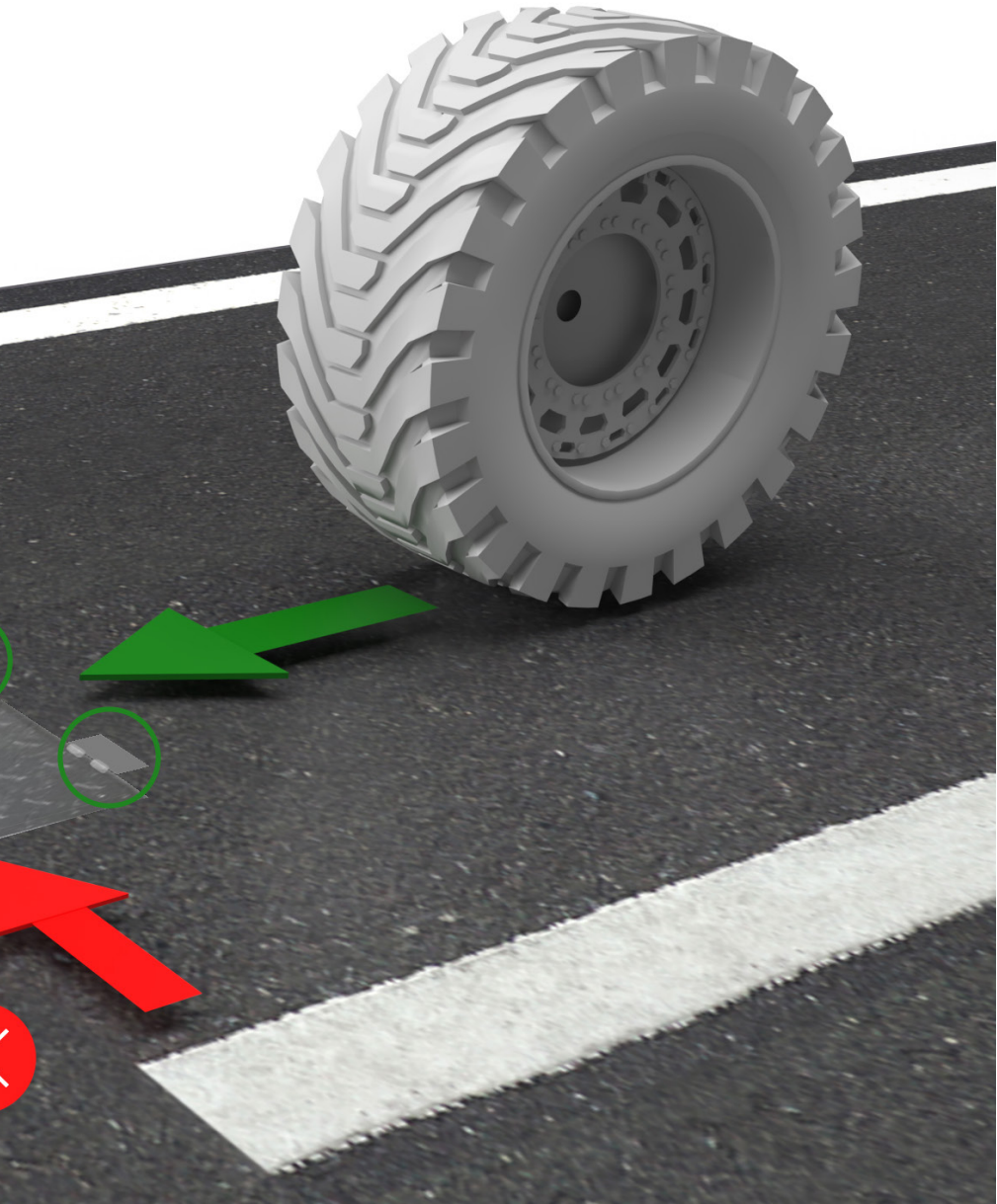


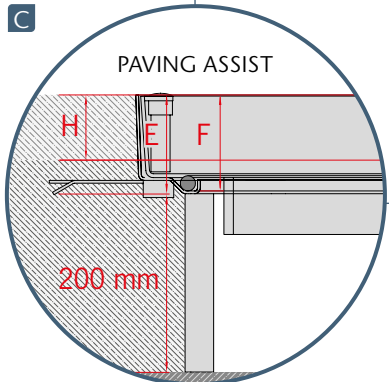
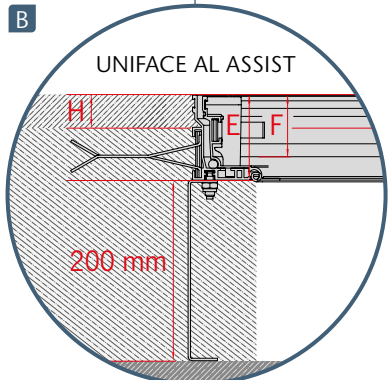
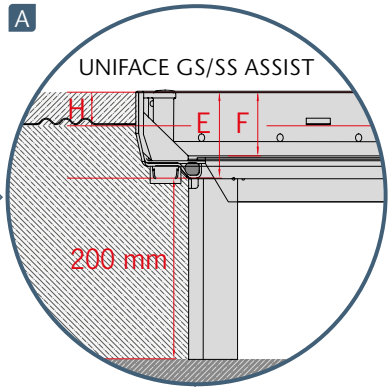
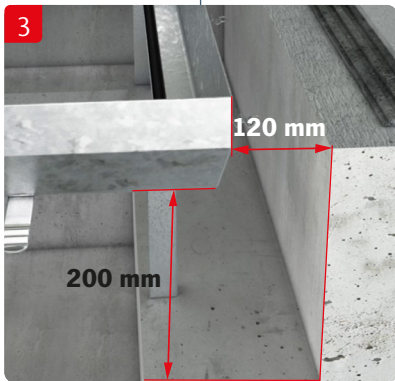
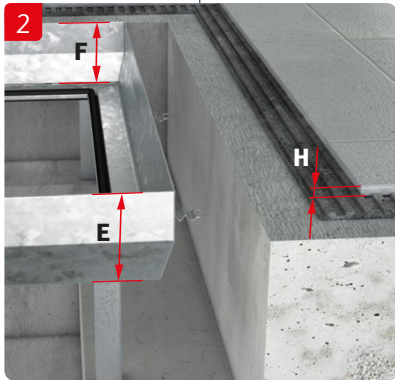
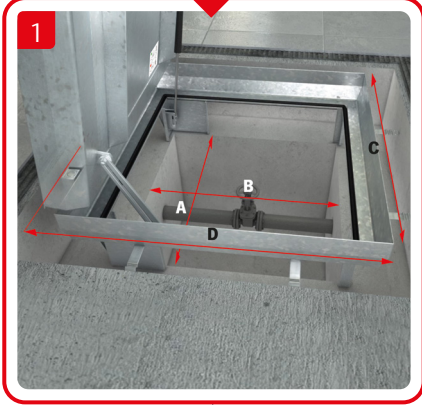
D

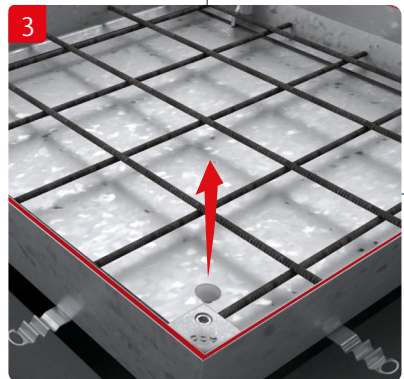
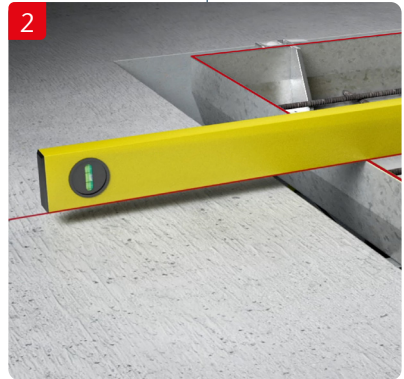
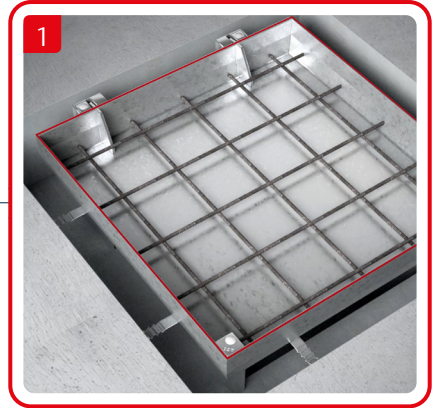
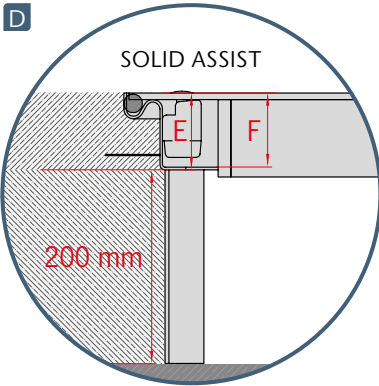
AAC SOLID ASSIST

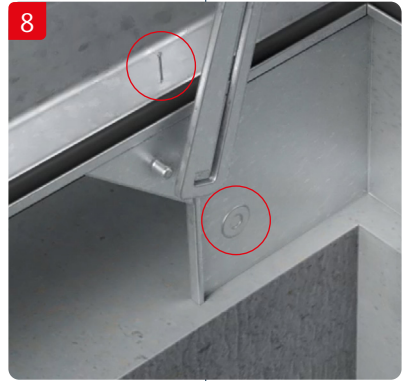
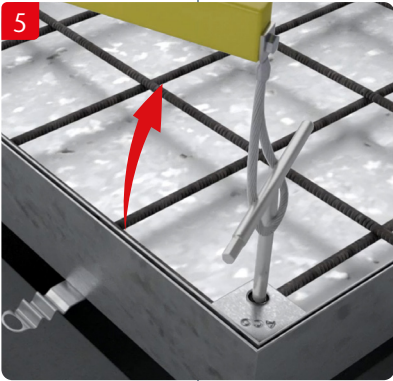
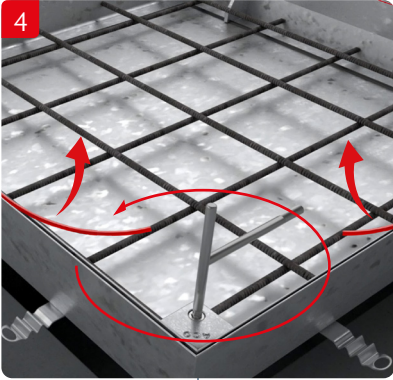




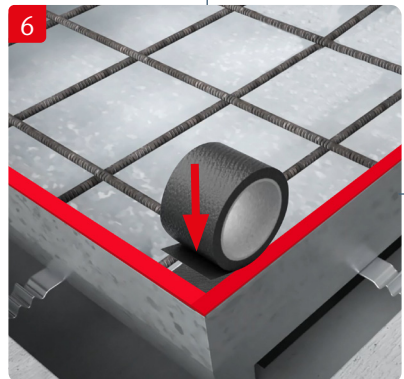
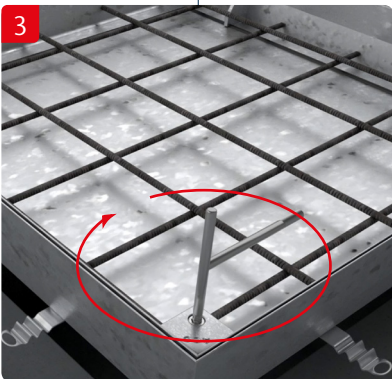
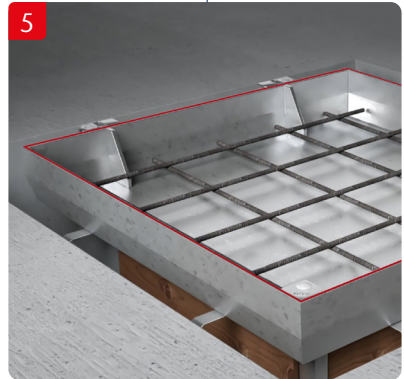
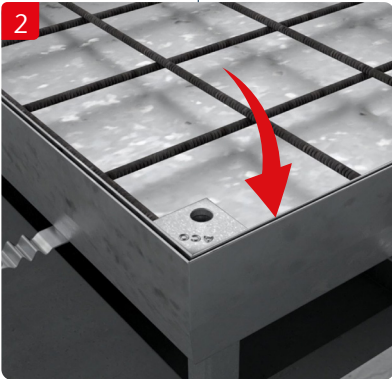
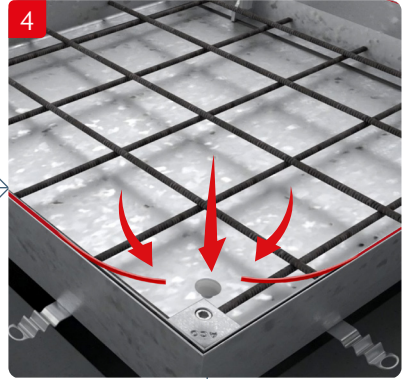


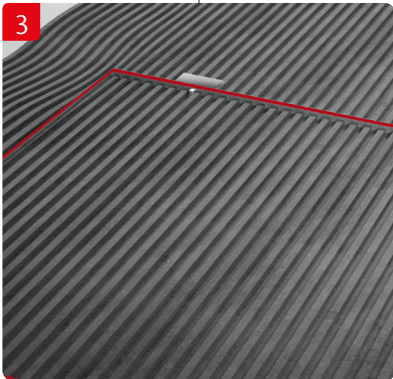
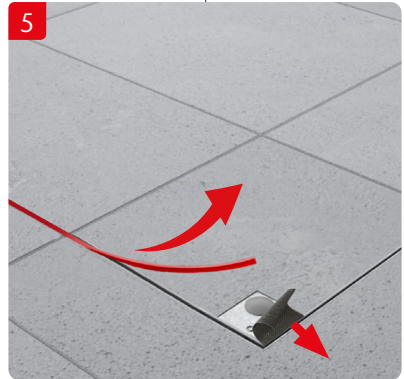
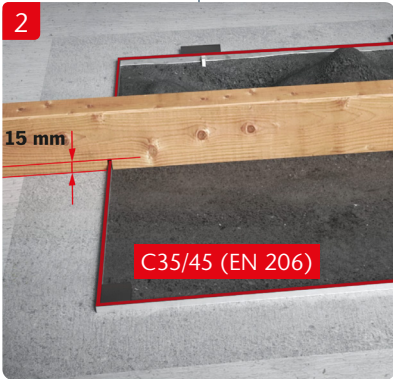
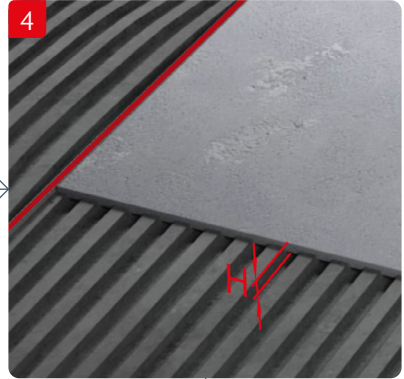
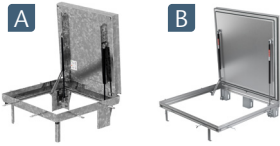




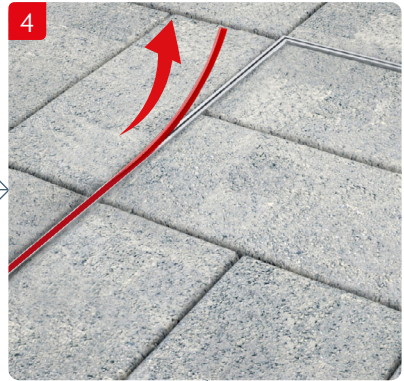
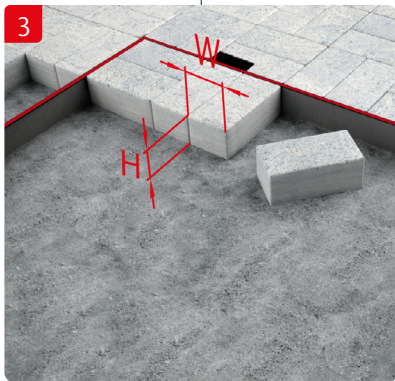
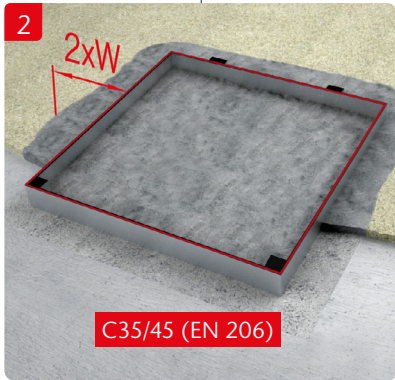
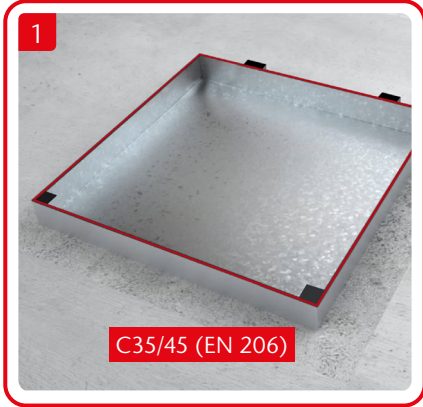




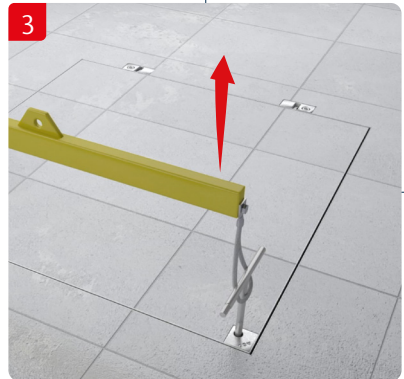
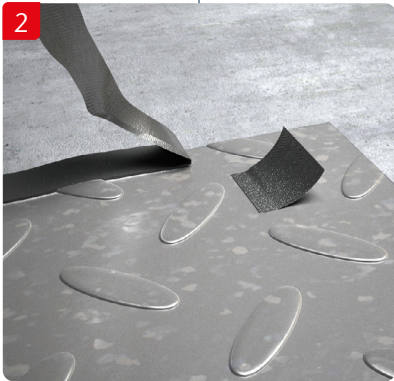
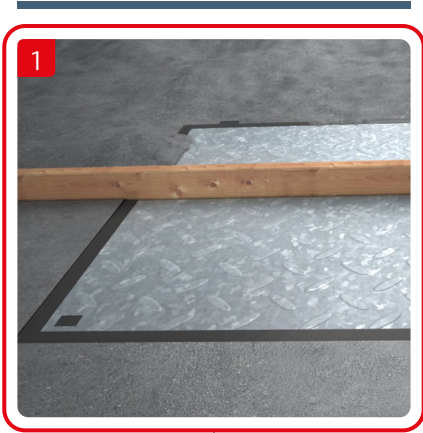


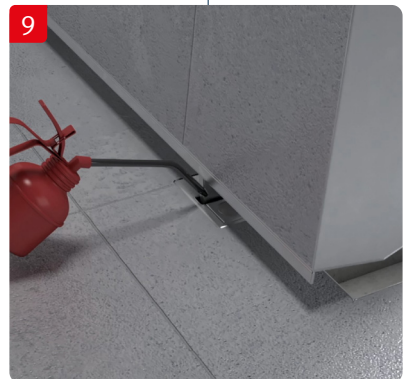
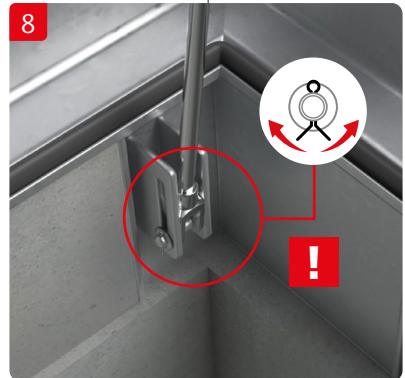


10



10





**A**

AAC UNIFACE  
GS/SS  
ASSIST



**B**

AAC UNIFACE  
AL  
ASSIST



**C**

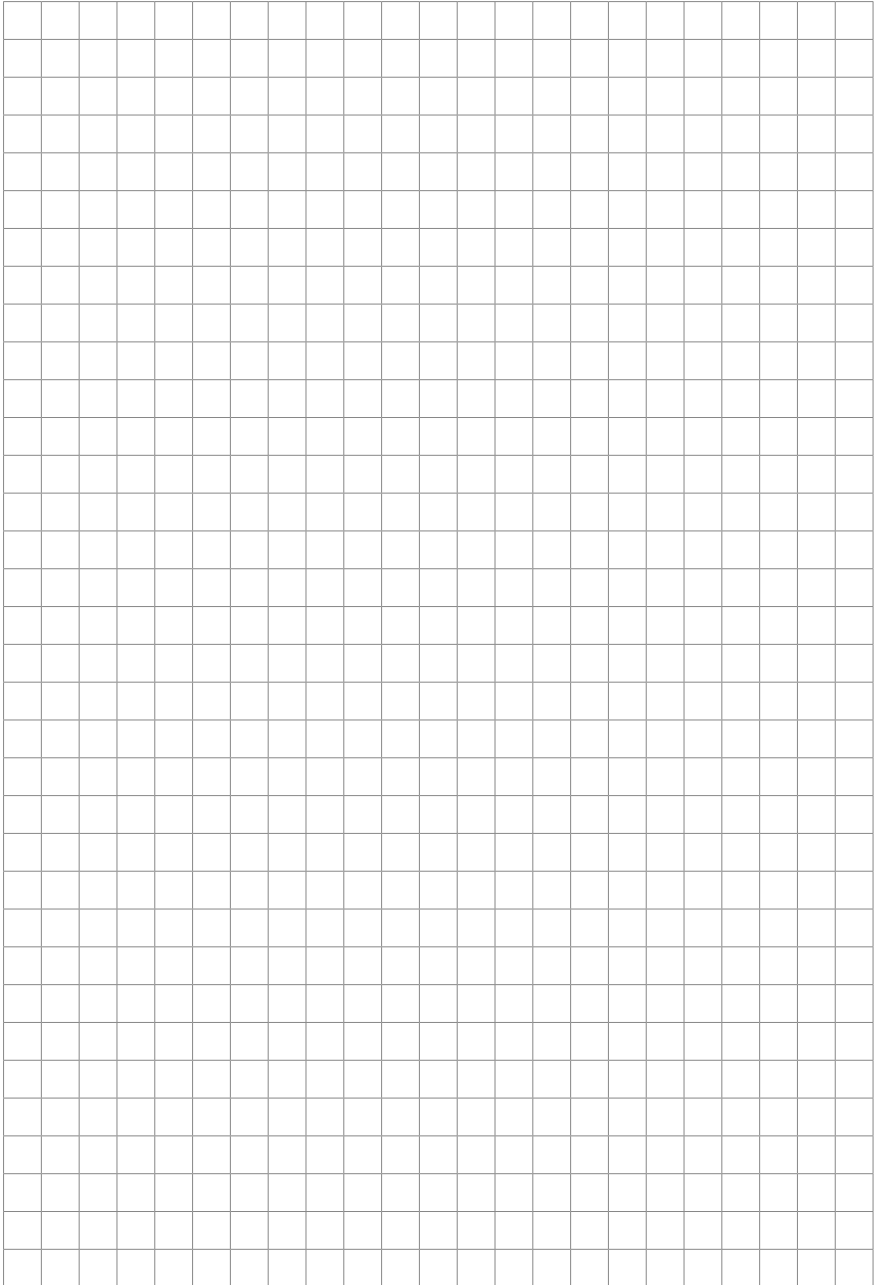
AAC PAVING  
ASSIST



**D**

AAC SOLID  
ASSIST





ACO. we care for water



Every ACO product supports  
the ACO WaterCycle



- 
- ACO Access Covers UNIFACE
  - ACO Access Covers PAVING
  - ACO Access Covers SOLID
- 



ACO Industries k.s.

Havlickova 260  
582 22 Pribyslav  
Czech Republic

[www.aco-accesscovers.com](http://www.aco-accesscovers.com)

NM95794 ACO Access Covers ASSIST Manual/EN/Q4/23