

Installation manual

ACO Access Covers

PAVING

ENG Installation Manual
ACO Access Cover

GER Installationsanleitung
ACO Schachtabdeckungen

FRA Instructions d'installation

ESP Manual De Instalación
ACO Tapas de registro

POR Manual de Instalação

ITA Manuale d'installazione
ACO Access Cover

NLD Installatiehandleiding
ACO Toegangsluiken

CZE Instalační manuál

RUS Инструкция По Установке

SWE Installationsanvisning

NOR Installasjons Manual

FIN Asennusohje

DAN Installationsvejledning

EST Paigaldusjuhend

LAV Uzstādīšanas instrukcija
ACO Tehnisko lūku vāki

LIT Montavimo instrukcija
ACO apžiūros liukai

POL Instrukcja montażu

BUL Инструкции за инсталация

HUN Beépítési útmutató

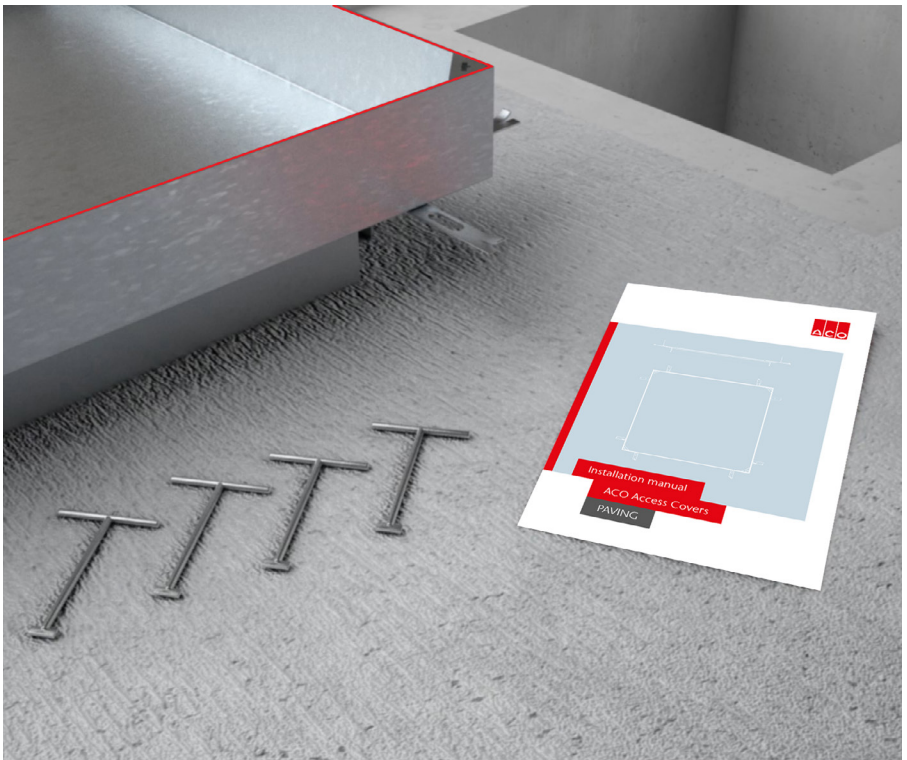
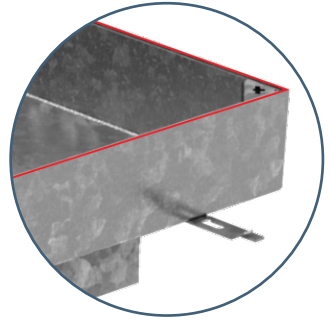
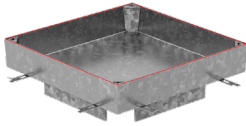
RUM Instrucțiuni de instalare

HRV Upute za ugradnju

SLV Navodila za vgradnjo

SRP Preporuka za ugradnju

TUR ACO Müdahale Kapakları



ACO Access Covers PAVING GS 80

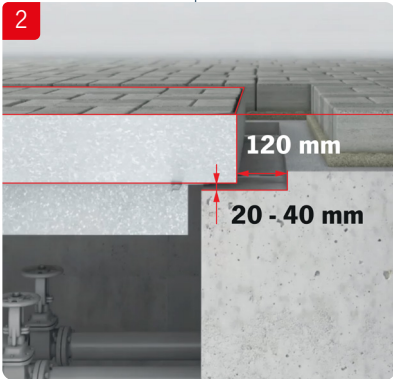
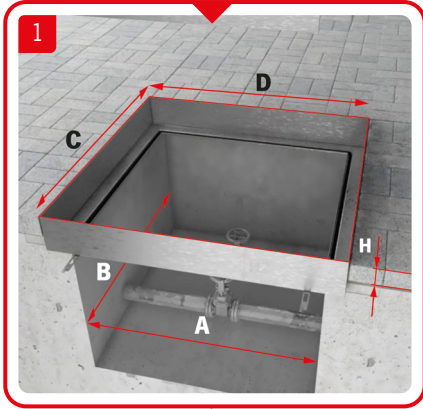
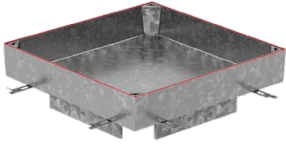
Order information

Clear opening (A x B)	External dimensions (C x D)	Frame height	Cover depth	Load class (EN 124)	Weight	Part No.
[mm]	[mm]	[mm]	[mm]		[kg]	
300 x 300	436 x 436	104	80	A15	16,4	407102
400 x 400	536 x 536	104	80	A15	21,6	407103
400 x 600	536 x 736	104	80	A15	26,9	409858
500 x 500	636 x 636	104	80	A15	27,4	407104
600 x 600	736 x 736	104	80	A15	33,4	407105
600 x 1000	736 x 1136	104	80	A15	47,85	409859
700 x 700	836 x 836	104	80	A15	42,2	409984
800 x 800	936 x 936	104	80	A15	49,45	409985
900 x 900	1036 x 1036	104	80	A15	57,3	409986
1000 x 1000	1136 x 1136	104	80	A15	65,55	409987
300 x 300	436 x 436	104	80	B125	22	406569
400 x 400	536 x 536	104	80	B125	30,9	406570
400 x 600	536 x 736	104	80	B125	37,9	409860
500 x 500	636 x 636	104	80	B125	38,25	406571
600 x 600	736 x 736	104	80	B125	45,9	406572
600 x 1000	736 x 1136	104	80	B125	73,8	409861
700 x 700	836 x 836	104	80	B125	65,6	406573
800 x 800	936 x 936	104	80	B125	75,15	406574
900 x 900	1036 x 1036	104	80	B125	85,3	406575
1000 x 1000	1136 x 1136	104	80	B125	96,15	406576
300 x 300	436 x 436	104	80	C250	28,1	406577
400 x 400	536 x 536	104	80	C250	45,7	406578
400 x 600	536 x 736	104	80	C250	57,6	409862
500 x 500	636 x 636	104	80	C250	60,2	406579
600 x 600	736 x 736	104	80	C250	71,3	406580
600 x 1000	736 x 1136	104	80	C250	105,1	409863
700 x 700	836 x 836	104	80	C250	93,5	406581
800 x 800	936 x 936	104	80	C250	106,8	406582
900 x 900	1036 x 1036	104	80	C250	121	406583
1000 x 1000	1136 x 1136	104	80	C250	135,9	406584
400 x 400	536 x 536	104	80	D400	44,31	445638
500 x 500	636 x 636	104	80	D400	61,82	445639
600 x 600	736 x 736	104	80	D400	81,84	445640
700 x 700	836 x 836	104	80	D400	101,47	445641
800 x 800	936 x 936	104	80	D400	135,26	445642
900 x 900	1036 x 1036	104	80	D400	157,93	445643
1000 x 1000	1136 x 1136	104	80	D400	184,97	445644

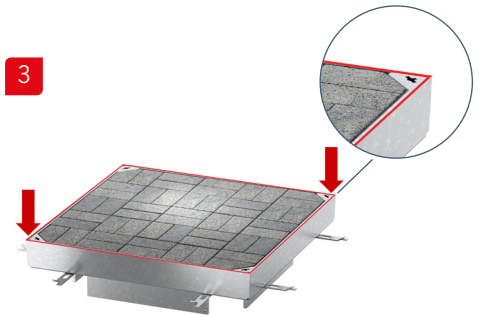
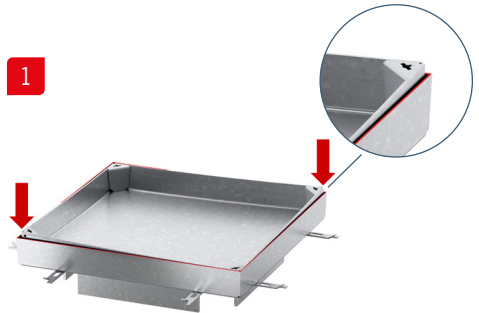
ACO Access Covers PAVING GS 120

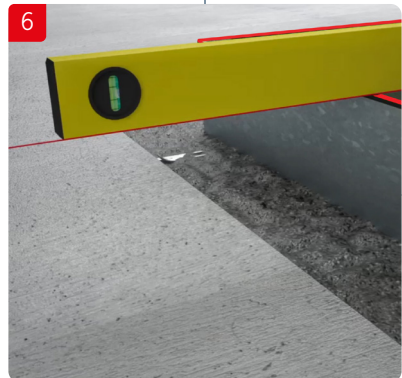
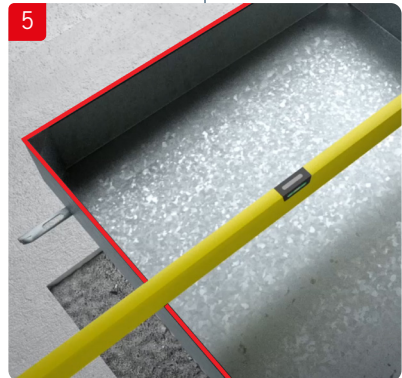
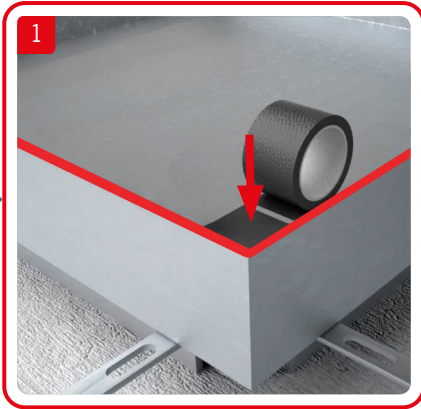
Order information

Clear opening (A x B)	External dimensions (C x D)	Frame height	Cover depth	Load class (EN 124)	Weight	Part No.
[mm]	[mm]	[mm]	[mm]		[kg]	
300 x 300	439 x 439	144	120	B125	26	414487
400 x 400	539 x 539	144	120	B125	35,7	414488
400 x 600	539 x 739	144	120	B125	43,6	414538
500 x 500	639 x 639	144	120	B125	44	414489
600 x 600	739 x 739	144	120	B125	52,4	414490
600 x 1000	739 x 1139	144	120	B125	82	414539
700 x 700	839 x 839	144	120	B125	73	414491
800 x 800	939 x 939	144	120	B125	83,5	414492
900 x 900	1039 x 1039	144	120	B125	94,2	414493
1000 x 1000	1139 x 1139	144	120	B125	105,9	414494
300 x 300	439 x 439	144	120	C250	32,5	414495
400 x 400	539 x 539	144	120	C250	51,1	414496
400 x 600	539 x 739	144	120	C250	64,1	414540
500 x 500	639 x 639	144	120	C250	66,5	414497
600 x 600	739 x 739	144	120	C250	78,6	414498
600 x 1000	739 x 1139	144	120	C250	114,5	414541
700 x 700	839 x 839	144	120	C250	101,9	414499
800 x 800	939 x 939	144	120	C250	116,3	414500
900 x 900	1039 x 1039	144	120	C250	131	414501
1000 x 1000	1139 x 1139	144	120	C250	147	414502
400 x 400	539 x 539	144	120	D400	50,42	445645
500 x 500	639 x 639	144	120	D400	69,08	445646
600 x 600	739 x 739	144	120	D400	90,19	445647
700 x 700	839 x 839	144	120	D400	111,04	445648
800 x 800	939 x 939	144	120	D400	145,97	445649
900 x 900	1039 x 1039	144	120	D400	169,42	445650
1000 x 1000	1139 x 1139	144	120	D400	197,64	445651

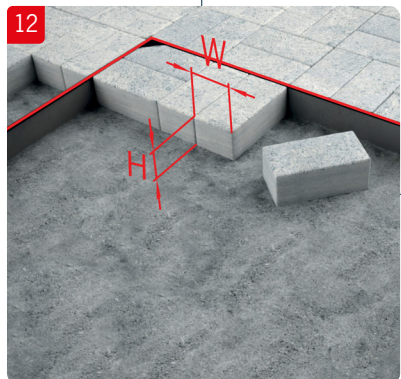
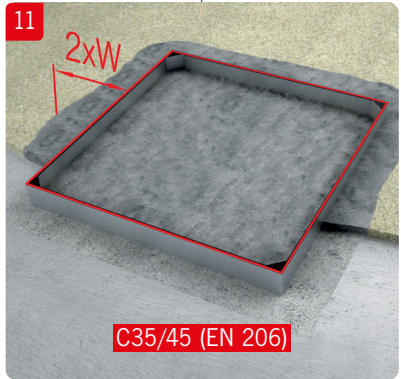
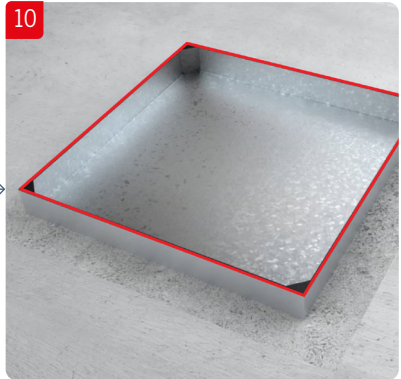
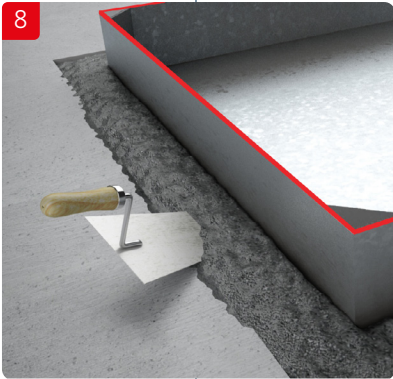
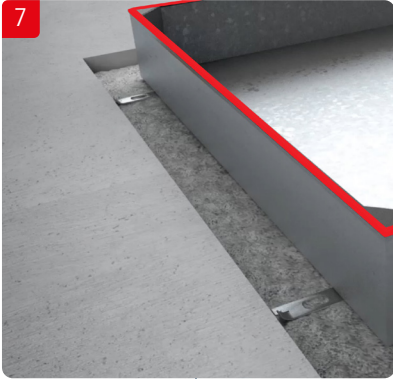
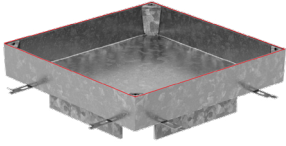


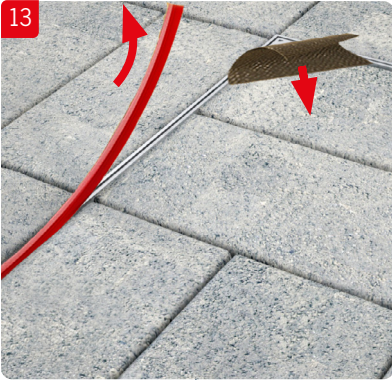
PAVING LC A15
behavior during installation





Installation manual
ACO Access Cover PAVING





ACO. we care for water



Every ACO product supports
the ACO WaterCycle



-
- ACO Access Covers UNIFACE
 - ACO Access Covers PAVING
 - ACO Access Covers SOLID
-



ACO Industries k.s.

Havlickova 260
582 22 Pribyslav
Czech Republic

www.aco-accesscovers.com

NM12382 ACO Access Covers PAVING Manual/EN/Q3/23