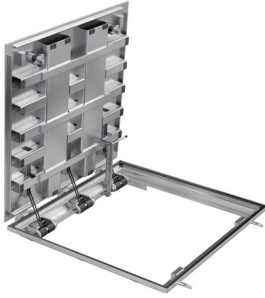


Installation manual

ACO Access Covers

SERVOKAT SMART

- |            |  |            |  |
|------------|--|------------|--|
| <b>ENG</b> | <b>Installation Manual<br/>ACO Access Cover</b>          | <b>EST</b> | <b>Paigaldusjuhend</b>                                     |
| <b>GER</b> | <b>Installationsanleitung<br/>ACO Schachtabdeckungen</b> | <b>LAV</b> | <b>Uzstādīšanas instrukcija<br/>ACO Tehnisko lūku vāki</b> |
| <b>FRA</b> | <b>Instructions d´installation</b>                       | <b>LIT</b> | <b>Montavimo instrukcija<br/>ACO apžiūros liukai</b>       |
| <b>ESP</b> | <b>Manual De Instalación<br/>ACO Tapas de registro</b>   | <b>POL</b> | <b>Instrukcja montażu</b>                                  |
| <b>POR</b> | <b>Manual de Instalação</b>                              | <b>BUL</b> | <b>Инструкции за инсталация</b>                            |
| <b>ITA</b> | <b>Manuale d´installazione<br/>ACO Access Cover</b>      | <b>HUN</b> | <b>Beépítési útmutató</b>                                  |
| <b>NLD</b> | <b>Installatiehandleiding<br/>ACO Toegangsluiken</b>     | <b>RUM</b> | <b>Instructiuni de instalare</b>                           |
| <b>CZE</b> | <b>Instalační manuál</b>                                 | <b>HRV</b> | <b>Upute za ugradnju</b>                                   |
| <b>RUS</b> | <b>Инструкция По Установке</b>                           | <b>SLV</b> | <b>Navodila za vgradnjo</b>                                |
| <b>SWE</b> | <b>Installationsanvisning</b>                            | <b>SRP</b> | <b>Preporuka za ugradnju</b>                               |
| <b>NOR</b> | <b>Installasjons Manual</b>                              | <b>TUR</b> | <b>ACO Müdahale Kapakları</b>                              |
| <b>FIN</b> | <b>Asennusohje</b>                                       |            |  |
| <b>DAN</b> | <b>Installationsvejledning</b>                           |            |  |



## ACO Access Covers SERVOKAT SMART

### Load class A15

#### Order information

Clear opening (A x B)	External dimensions (C x D)	Frame height	Load class (EN 124)	Weight	Part No.	Part No.
[mm]	[mm]	[mm]		[kg]	GS	SS
1000 x 1000	1241 x 1206	80	A15	141	448306	448305
800 x 800	1041 x 1006	80	A15	106	448310	448309

### Load class B125

#### Order information

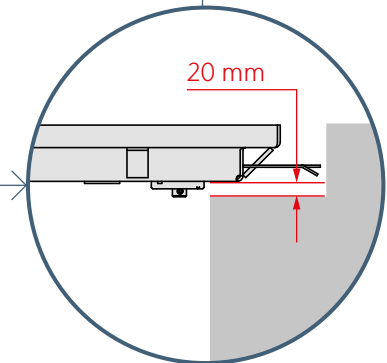
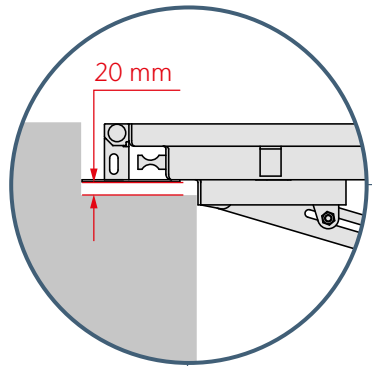
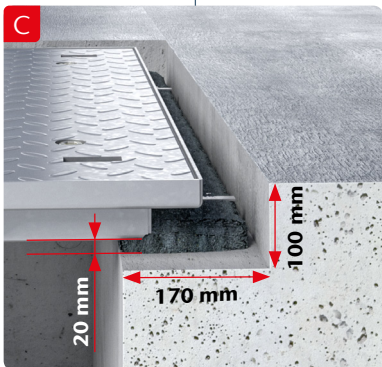
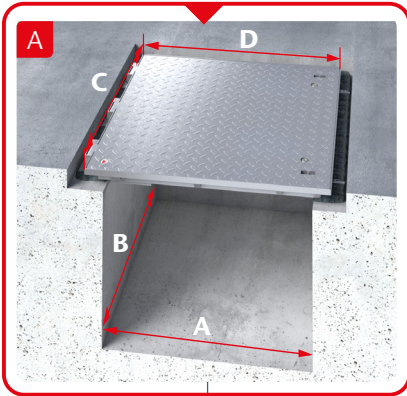
Clear opening (A x B)	External dimensions (C x D)	Frame height	Load class (EN 124)	Weight	Part No.	Part No.
[mm]	[mm]	[mm]		[kg]	GS	SS
1000 x 1000	1241 x 1206	80	B125	166	450170	450169
800 x 800	1041 x 1006	80	B125	120	450166	450165

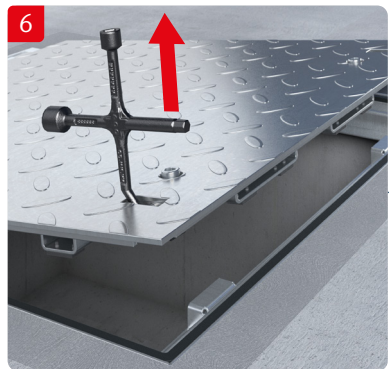
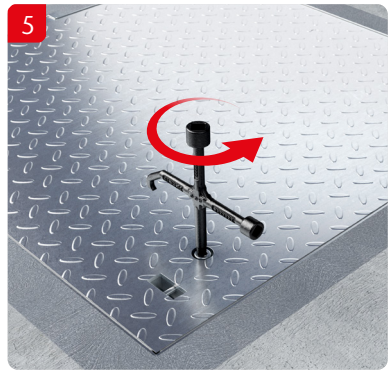
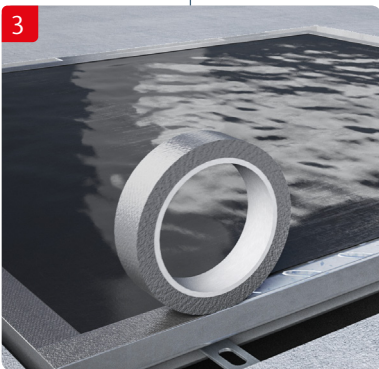
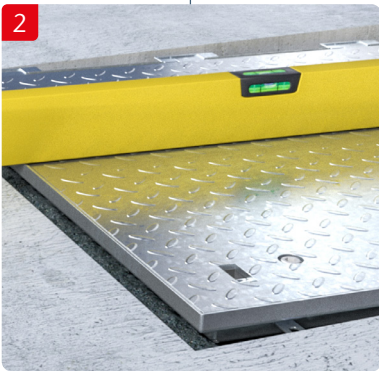
## Load class D400

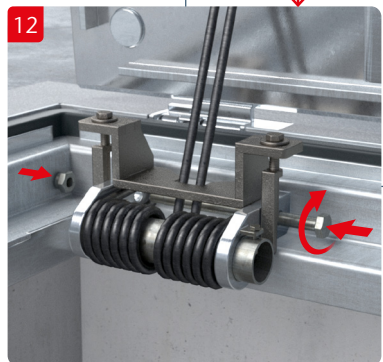
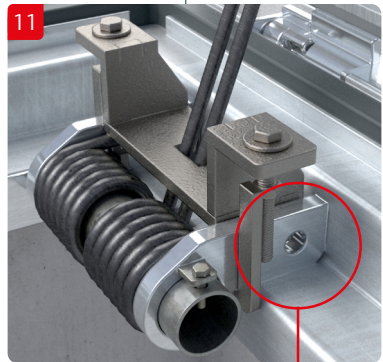
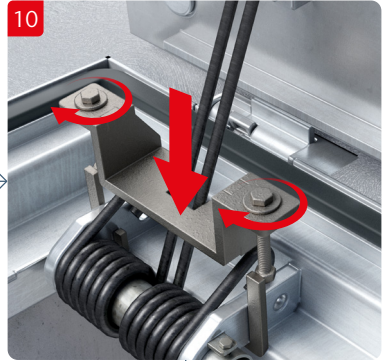
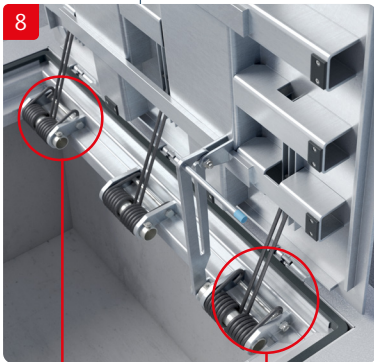
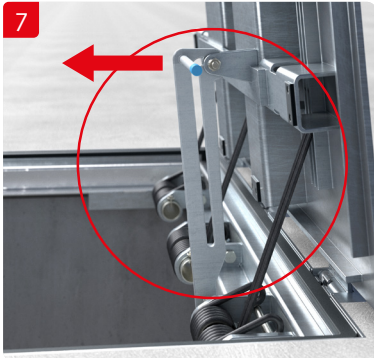
### Order information

Clear opening (A x B)	External dimensions (C x D)	Frame height	Load class (EN 124)	Weight	Part No.	Part No.
[mm]	[mm]	[mm]		[kg]	GS	SS
1000 x 1000	1241 x 1206	80	D400	206	448138	448137
900 x 900	1141 x 1106	80	D400	180	448140	448139
800 x 800	1041 x 1006	80	D400	147	448142	448141
700 x 700	941 x 906	80	D400	124	448144	448143
600 x 600	841 x 806	80	D400	99	448146	448145
600 x 800	841 x 1006	80	D400	122	448148	448147
600 x 900	841 x 1106	80	D400	135	448150	448149
800 x 1000	1041 x 1206	80	D400	173	448152	448151
1000 x 1500	1241 x 1706	80	D400	280	448154	448153
900 x 1200	1141 x 1406	80	D400	220	448156	448155
1000 x 1200	1241 x 1406	80	D400	234	449664	449663

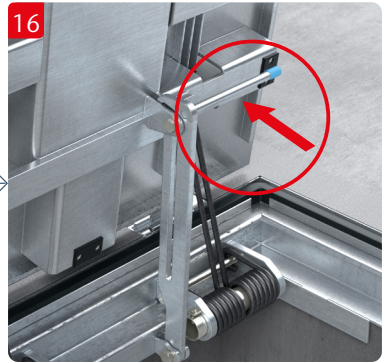
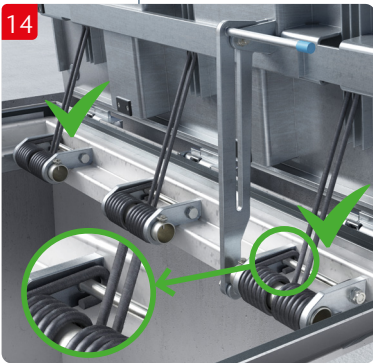
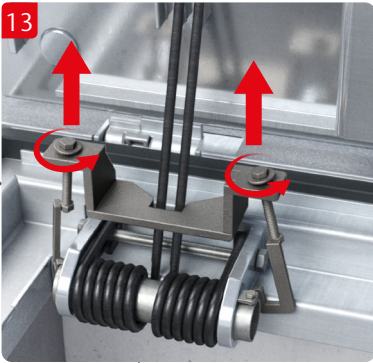
Installation manual  
ACO Access Cover SERVOKAT SMART



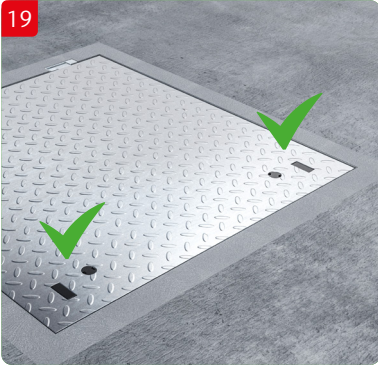


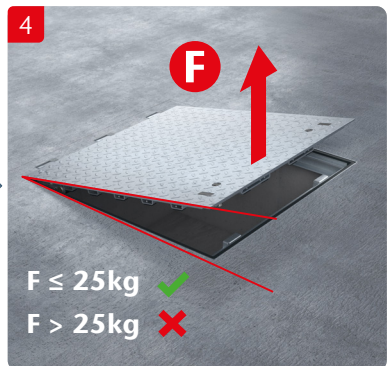
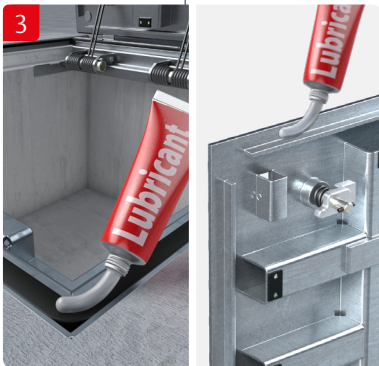
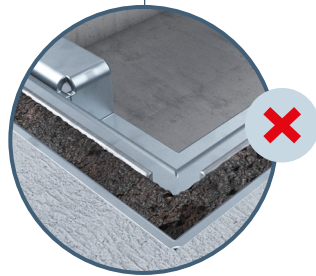
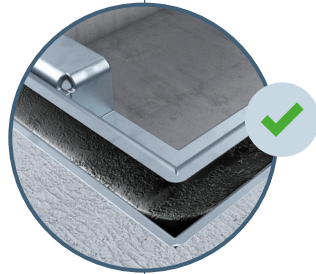
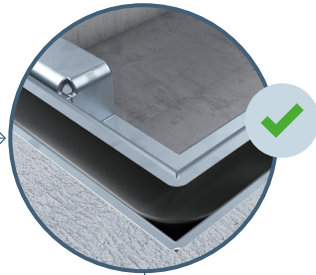






Installation manual  
ACO Access Cover SERVOKAT SMART





ACO. we care for water



Every ACO product supports  
the ACO WaterCycle



- 
- ACO Access SERVOKAT SMART SS
  - ACO Access SERVOKAT SMART GS
- 



ACO Industries k.s.

Havlickova 260  
582 22 Pribyslav  
Czech Republic

[www.aco-accesscovers.com](http://www.aco-accesscovers.com)

**NM120725** ACO Access Covers SERVOKAT SMART GS/SS Manual/EN/Q1/24