



Barrier free drainage solutions

ACO Sanitary Gullies



ACO offers various sanitary drainage systems.

The range of point drains includes products for every application: the ACO sanitary drain Easyflow+, for example, is suitable for low floor structures thanks to its compact design and the factory-attached sealing membrane. On the other hand, the floor structures that are often higher in new buildings can be covered with the ACO Easyflow and the associated attachments.

The products are completed by a large selection of standard and design gratings.

This means that ACO offers the right solution for every application, regardless of whether it is a high-quality commercial bathroom, sports facility or private bathroom.



ACO Sanitary Gully MG

minimum installation height, maximum flexibility thanks to the modular system

Page 35

ACO Sanitary Gully Easyflow+

with installation aid and factory-attached sealing membrane

Pages 6 / 20

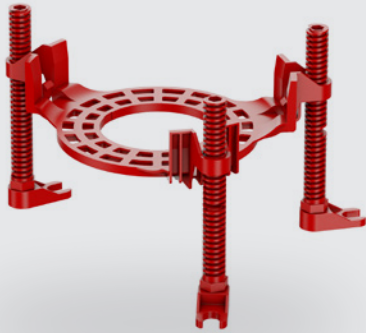


ACO Passino

the Renovation Gully

Page 37





ACO Sanitary Gully Easyflow

with fire protection

Pages 8/25



ACO Sanitary Gully Easyflow+ 6
Proven innovation

ACO Sanitary Gully Easyflow 8
powerful, secure and versatile

1

Technical Information

Gradient and drainage capacity	14
Fire protection	15
Sound protection	16
Installation suggestion	17

2

Product Overview Sanitary Gullies

ACO Sanitary Gully Easyflow+	20
ACO Sanitary Gully Easyflow	25
ACO Sanitary Gully Easyflow – Complete Gullies	32
ACO Sanitary Gully MG	35
ACO Passino – Renovation Gully	37

ACO. we care for water

ACO is a Water-Tech company that protects water. Building on our global drainage expertise that protects people from water, we increasingly see our mission as also protecting water from people.

With the ACO WaterCycle, ACO provides systems that collect and channel, clean, retain and ultimately reuse water. In this way, ACO contributes to the preservation of clean groundwater as a vital resource, and makes a contribution to tomorrow's world. In its Agenda 2030, the UN global community set the improvement of water quality as one of 17 sustainable development goals.

Intelligent drainage systems from ACO increasingly use smart technology to ensure that rainwater and wastewater are drained, or temporarily stored. With innovative separation and filter technology, we prevent water contamination by pollutants such as fat and grease, fuels, heavy metals and microplastics.

Today, ACO goes one step further: we accept the challenge of reusing water, and thus establishing a resource-saving cycle. For all products and systems, ACO attaches great importance to durability, reusability and a low carbon footprint. The pursuit of sustainability is an ongoing process that we strive to meet every day.

The ACO Group is a global family business that is one of the world market leaders in the Water-Tech segment. Founded in Schleswig-Holstein in 1946, it operates as a transnational network in over 50 countries. Worldwide, ACO is characterised by a high level of decentralised ownership, and explicit regional market proximity.

www.aco.com



Holder
Iver and Hans-Julius Ahlmann



Headquarters of the ACO Group
in Rendsburg/Büdelisdorf



5.300

employees in more than 50 countries (Europe, North and South America, Asia, Australia, Africa)

1.15 Billion

Euro Sales in 2022

40

production sites in 20 countries



ACO Academy
for practical training

ACO Easyflow+

Proven innovation

Changed market demands, such as the desire for easy installation, and updated normative requirements are reflected in the characteristics of the new sanitary drainage gully, ACO Easyflow+.

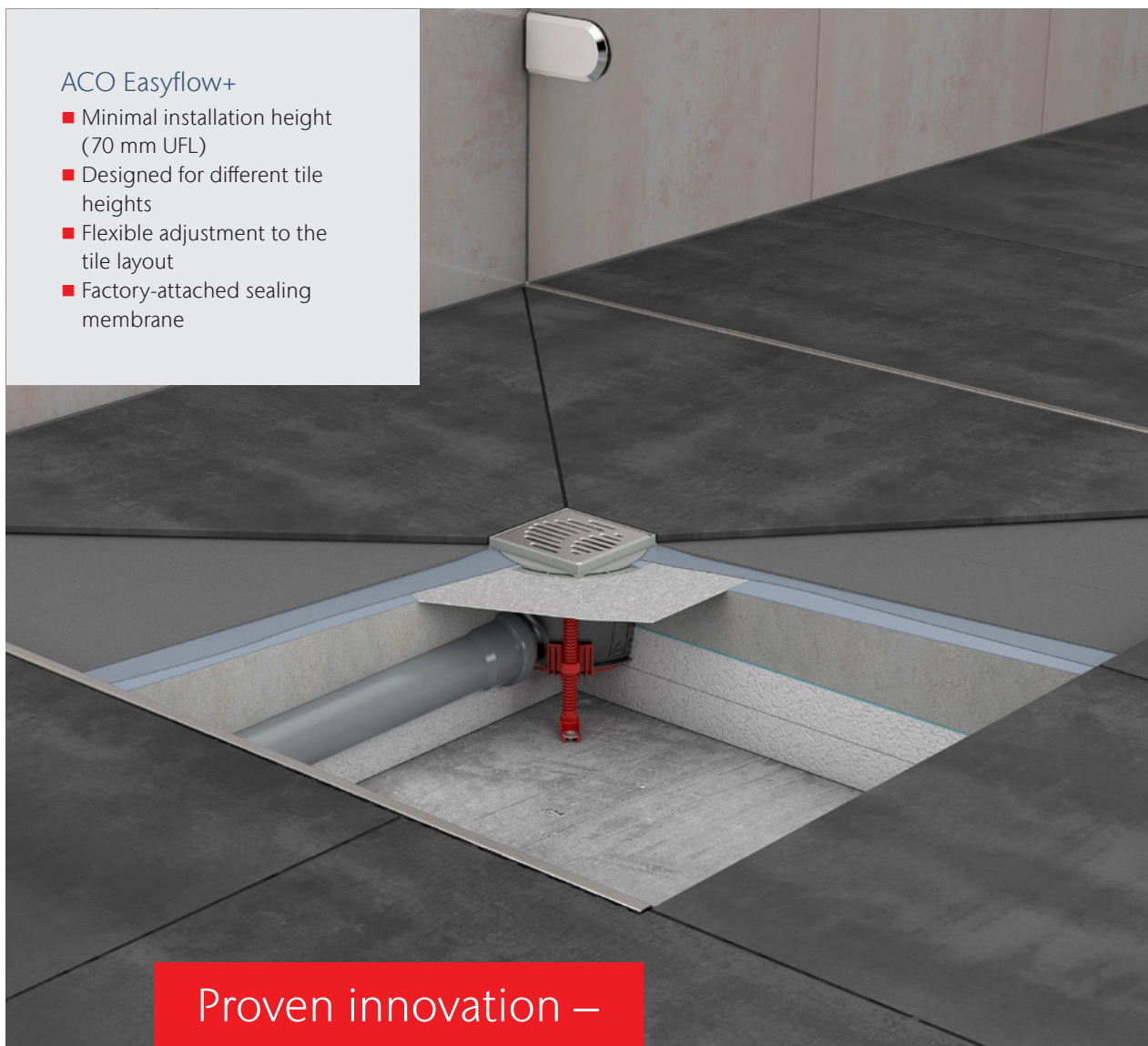
The modern plastic sanitary gullies are characterized by excellent resistance to tension cracks and chemicals. Additionally, the material exhibits high rigidity and impact resistance. However, these properties can be disadvantageous in cold or extremely high-temperature environments. Therefore, we recommend their use only in frost-free areas and for the discharge of high-temperature wastewater (short-term up to 95°C).

ACO Easyflow+ sanitary gullies are particularly suitable for use in single-family and multi-family houses. Their compact design allows for installation in low-profile floor structures, making ACO Easyflow+ the ideal solution for refurbishments.

The pre-fabricated plastic gullies are delivered fully ready for installation and can be conveniently complemented with practical accessories.

ACO Easyflow+

- Minimal installation height (70 mm UFL)
- Designed for different tile heights
- Flexible adjustment to the tile layout
- Factory-attached sealing membrane





Easy installation

For a reliable sealing in combination, the factory-attached sealing membrane (W3-I according to German standard DIN 18534-4) ensures a dependable seal. During the construction phase, it is reliably protected by a pre-installed construction phase cover. The construction phase cover has a stripping edge for the screed.

The new ACO assembly aid simplifies the installation and allows an easy height adjustment. It can be securely fastened to the floor with the included mounting materials, providing additional safety in the further course of construction.

Flexibility

The compact design of the gullies allows for their use in low floor build-up heights, starting from 70 mm.

To enhance flexibility after the sealing processes, the complete gullies already include height-adjustment rings in their standard scope of delivery.

A stepwise height adjustment in 5 or 7 mm increments provides the tiler with the ability to adapt to various tile heights on-site. Additionally, the 360° rotatable top sections enable flexible adaptation to the tile layout.

Easy cleaning

In addition to their versatile applications, ACO sanitary gullies excel in terms of cleaning and maintenance. The one-piece foul air trap is easy to remove, allowing unobstructed access to the connected pipeline.

Furthermore, the floor-level arrangement of the socket ensures complete drainage of the gully body, facilitating the flushing out of foreign objects.

ACO Easyflow

Powerful, secure and versatile

The modern plastic sanitary gullies are characterized by excellent resistance to tension cracks and chemicals. Additionally, the material exhibits high rigidity and impact resistance. However, these properties can be disadvantageous in cold or extremely high-temperature environments. Therefore, we recommend their use only in

frost-free areas and for the discharge of high-temperature wastewater (short-term up to 95°C).

For this application, stainless steel gullies are most commonly used.

The top sections are primarily made of ABS. They need to be especially hard and impact-resistant.

Gully body with integrated sealing

For all gully bodies, the sealing towards the top section is permanently attached, ensuring that the installer has the confidence that no leaks can occur during attachment of the accessory piece due to the seal being pushed out.

Hydraulic peak values

The standard EN1253-1 sets minimum flow rates for floor drains. The ACO Easyflow significantly exceed these values. The ND 50, ND 70, and ND 100 gullies achieve flow rates of up to 1.6 l/s.

Areas of application

ACO plastic gullies are in accordance with EN 1253-1 and are particularly suitable for use in detached houses and apartment buildings. In conjunction with appropriate seals, they offer a drainage option that is as safe as it is efficient. The plastic drains, which are already prefabricated as standard, are supplied complete and ready for installation. The drain bodies can be usefully supplemented with practical accessories.

Maintainability

In addition to the wide range of possible applications, ACO gullies are also convincing in terms of hygiene and easy cleaning: The foul air trap can be easily removed for unhindered access to the connected pipe. In addition, the floor-level arrangement of the gully socket means that the drain body is completely emptied and the flushing out of foreign bodies is made easier.

Optimal cleanability

The foul air trap can be completely removed with a simple pull, allowing for optimal pipe cleaning both upstream and downstream. Since the gullies have no constrictions at the inlet and outlet, this drainage system creates an optimal access point for inspection.

Height-adjustable top sections

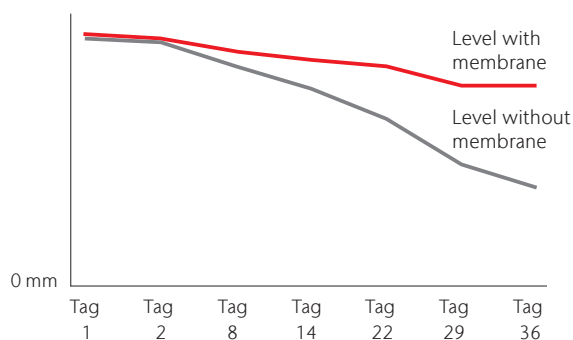
All gullies are equipped with a height-adjustable, rotatable top section. The slot grating is made of high-quality stainless steel.



Odour reduction

In case of infrequently used gullies, the natural evaporation of the trap water can lead to insufficient protection against odors caused by sewage gases. The ACO Easyflow gullies provide the option for a toolless installation of an odor trap at any time in such situations. The odor trap replaces the standard foul air trap (not for fire protection set) and combines a trap water height of 50 or 30 mm with a membrane that significantly reduces premature drying out.

Evaporation



Preventive fire protection

Why is a fire protection kit so important?

A fire within a building typically spreads along the building systems. For this reason, floor gullies are particularly critical, as in the event of a fire, flames and smoke can extend to the next floor.

The ACO Easyflow floor gullies with a vertical socket inclination can be equipped with an exchangeable or retrofitable fire protection set.

The fire protection set includes a cartridge with a fire protection insert, which is inserted into the socket of the gully body, and an odour trap with an integrated heat shield. The fire protection insert must be positioned within the concrete slab.

The fire protection set contains an intumescence mass. Upon exposure to temperatures above 150°C from below, the fire protection cartridge foams up, sealing the socket of the floor gully and thus closing the housing against fire and smoke from bottom to top. Additionally, the intumescence mass foams up at the bottom of the odor trap.

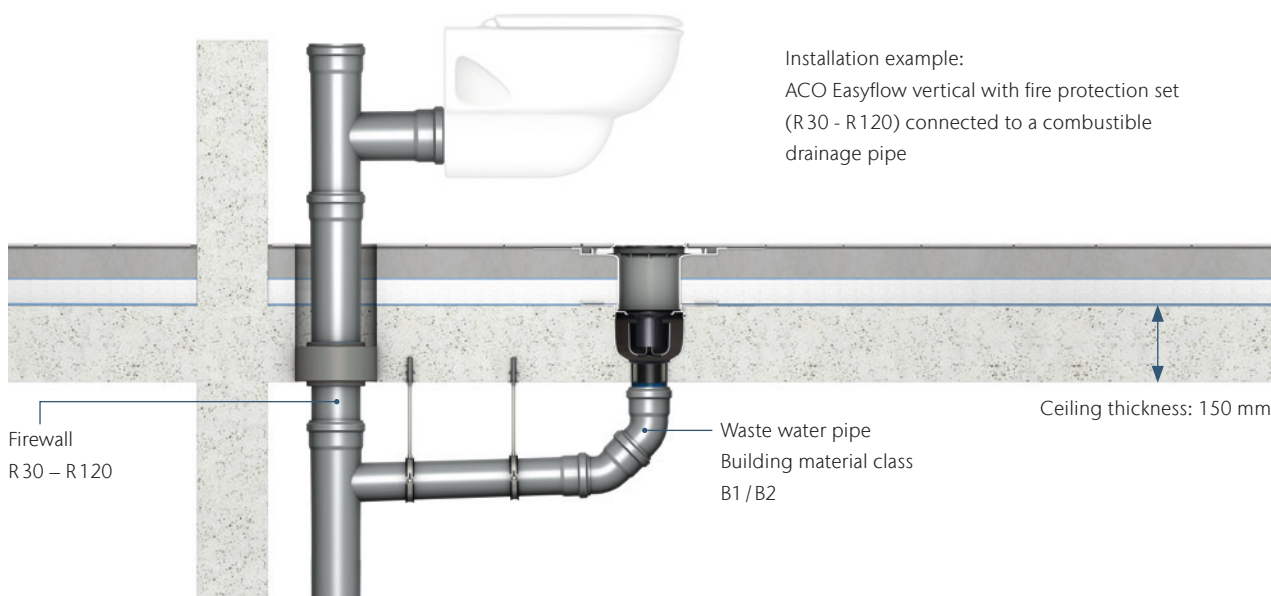
In the state building regulations introduced under building law fire barriers are prescribed if, for example, floor drains are installed in ceilings that comply with a defined fire resistance class.

This applies to the following fire resistance classes:

- fire-retardant (R 30)
- highly fire-retardant (R 60)
- fire-resistant (R 90)
- highly fire-resistant (R 120)

The ACO fire protection set Easyflow has a fire resistance class of up to R 120. According to this the set provides fire and smoke protection for 120 minutes. The fire protection suitability of the ACO Easyflow floor gullies has been confirmed by the general fire protection test of the building authorities (Z-19.17-2159).

The ACO Fit-in installation set enables simple, tool- and mortar-free closure of the core borehole. There are no waiting times due to formwork construction and mortar drying times that delay the connection of the pipe. The ACO Fit-in installation set ensures that the fire protection requirements of the installation are easily and safely fulfilled and implemented.



Structure of the floor gully

The ACO plastic floor gullies allow various combinations thanks to a modular system. Thus, customized functional solutions can be implemented perfectly for individual installation situations and application areas.



Easyflow top sections

Combination with plastic top sections with stainless steel frame

If solutions beyond the standard top sections are required, the entire gully range can be combined with the Easyflow Design top sections. The top sections with stainless steel frames are available in square shape with frame dimensions 149 x 149 mm and as a round version with a diameter of 136 mm.

The top sections are equipped with a solid slot grating made of stainless steel as standard. In addition, a narrow, circumferential drainage opening can be realised with the top section for selectable surfaces.

The entire range is also available for alternative sealing (thin-bed method). The top section for composite seals additionally features a fixed and loose flange, allowing a secure connection of the sealing layer to the top section.

For the connection of the alternative sealing, a sealing collar (included) is embedded in the sealing material and pressed with the loose flange of the top section. When applying the sealing material, filler and tile adhesive, it is important to adhere to the manufacturer's instructions, as well as the applicable standards and regulations.



Top sections with or without locking

The square top sections with solid stainless steel gratings can be chosen as either loosely inserted or lockable, depending on the application area.

Locking

By inserting the two lugs of the grating into the corresponding guides of the top section, the locking is ensured for both the loosely inserted and lockable grating. In the locked position, the latch securely holds the grating in place within the frame.

In the unlocked state, the grating easily lifts out of the frame, allowing for easy removal. The locking and unlocking of the grating are achieved by a 90° rotation of the latch. A stop is integrated to prevent over-rotation.



Insert the grating into the guide with the lugs first



Rotate the closing by 90° of the closing to lock or unlock the grating



Grating unlocked

1





Technical Information

ACO Sanitary Drainage

The requirements for an installation that proves itself in practical and everyday use are proper planning, a good choice of models, and, of course, professionally skilled installation. Learn more about the fundamentals of bathroom drainage and product features related to drainage performance, installation height, fire protection, and sound insulation on the following pages.

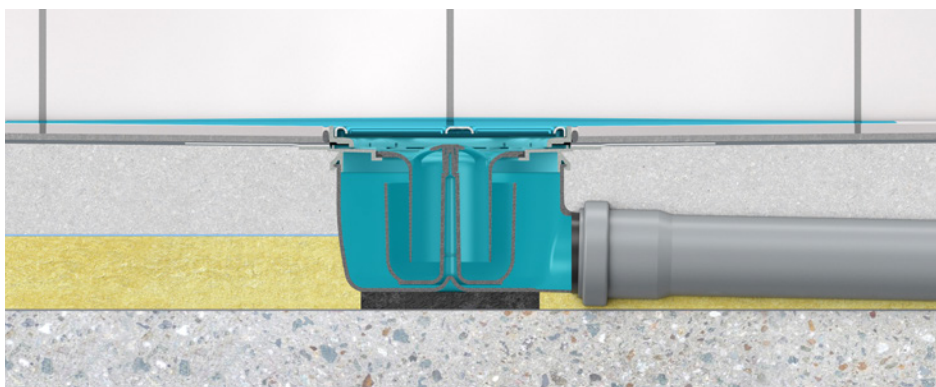
Gradient and drainage capacity

For gullies, a four-sided slope in the tile surface is required. A significant slope supports drainage performance, while a smaller slope provides more slip resistance and is more wheelchair-friendly. In practice, slopes of around 2% have proven effective.

The standard EN 1253-1 defines drainage values for floor gullies and channels With foul air traps. According to this standard,

a minimum value of 0.4 l/s is required for a shower area. This measurement must be achieved with a water build-up of 20 mm above the grating.

If standing water is not desired during showering, for example, when placing the gully in the middle of the room, the flow rate of the shower fixture must be taken into account.



Water accumulation during installation of the sanitary gully ACO Easyflow+



ACO Easyflow+
Flow rate 0.9 l/s
(according to EN 1253-1)



ACO Easyflow
Flow rate 1.0 l/s
(according to EN 1253-1)

Drainage capacity [l/s] with 20 mm accumulation height

ACO Easyflow+	90°	WS50	1.1
	1.5°	WS50	0.9
	1.5°	WS30	0.8
ACO Easyflow	90°	WS50	1.5
	1.5°	WS50	1.0
	1.5°	WS30	0.8
ACO Sanitary Gully MG	90°	WS50	0.5
	1.5°	WS50	0.5
	1.5°	WS30	0.5
	1.5°	WS25	0.5
ACO Passino	90°	WS50	0.8

The gully bodies ACO Easyflow+ WS50 and ACO Easyflow WS50 exceed the drainage values required by the EN 1253-1 significantly.

Fire protection for the bathroom drainage

Supply cables, as well as supply and disposal lines, are indispensable in commercial and private buildings. If a fire breaks out in a building, it typically spreads along the building services. Without suitable measures, fire and smoke can extend to the next floor, posing a threat to life and limb. Preventive fire protection is therefore essential according to the state building code in public buildings. ACO offers a variety of fire protection solutions that meet the requirements of modern bathroom design.

How should the necessary ceiling openings and penetrations be designed to meet both fire protection requirements and the demands related to time and cost pressure?

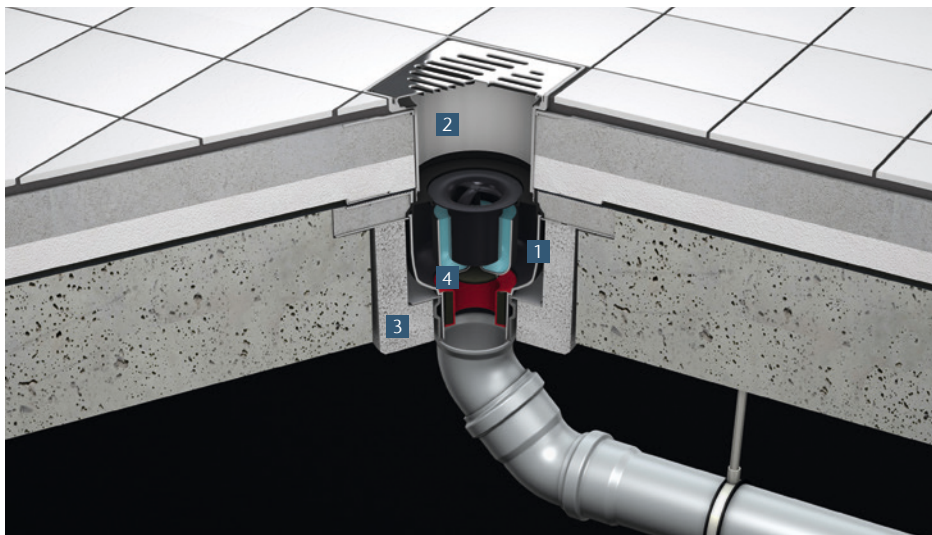
If the required fire protection requirements are not implemented properly on-site, the risk to life and limb is not eliminated. In the field of building renovation and moder-

nization, a core hole drilling provides an excellent alternative to time-consuming chiseling work. Core drillings offer high dimensional accuracy, allow the continuation of building operations during work, and are conducted without vibrations, low noise, and nearly dust-free. The ACO Fit-in installation set is designed for the mortarless sealing of the remaining voids after the insertion of the floor drain into the core hole drilling. It facilitates the work process by saving time that would otherwise be needed for formwork construction, mortar preparation, mortar drying, or tool cleaning.

The skilled tradesperson can typically create core hole drillings up to 160 mm using handheld core drill devices. The ACO Fit-in installation set is available for all the fire protection solutions presented here and can be used for ceiling thicknesses starting from 100 mm.

You can find more information in our online catalogue

Interaction of fire protection components in the ACO Easyflow



- 1 Gully Easyflow
 - ND 50
 - Socket inclination 90°
 - made from plastic
 - Art.-Nr. 2500.55.00
- 2 Top section standard,
 - Slot grating
 - Art.-Nr. 2700.77.11
- 3 Installation set Fit-In
 - Art.-Nr. 9390.08.40
- 4 Fire protection set
 - Art.-Nr. 2520.00.00

The plastic gully body is equipped with a fire protection cartridge.

The fire protection cartridge in the drain socket is automatically activated if a fire occurs below the ceiling. This prevents fire and smoke from entering to the next floor (fire protection from below).

A plastic coating protects the intumescent mass from the waste water.

Fire resistance class R120 is achieved if the floor drain is firmly mortared in (minimum ceiling thickness 150 mm).

Sound protection for sanitary gullies



Installation proposal ACO sanitary gully Easyflow+ (floor construction according to sound insulation test report)

- | | | |
|-------------------------------|---------------------------------------|---|
| 1 Floor tile | 4 Sealing membrane (factory-attached) | 7 Filling hose |
| 2 Tile adhesive | 5 Wall tile | 8 Mineral insulation |
| 3 Composite sealing (on-site) | 6 mech./elec. connection joint | 9 Separating layer (material of the mineral insulation) |

When it comes to sound insulation, every detail counts, because even a single sound bridge can increase the noise transmission from the wastewater area to the building structure so significantly that the agreed acoustic requirements can no longer be met. Sound propagation and transmission as well as the relationship between the interaction of airborne and structure-borne sound are complex. For the planning and executing side, solutions are therefore required for drainage systems that can be planned without special knowledge of building acoustics and processed without further craftsmanship. Sound insulation is particularly important in residential construction, as the home serves as a place of rest and retreat for people.

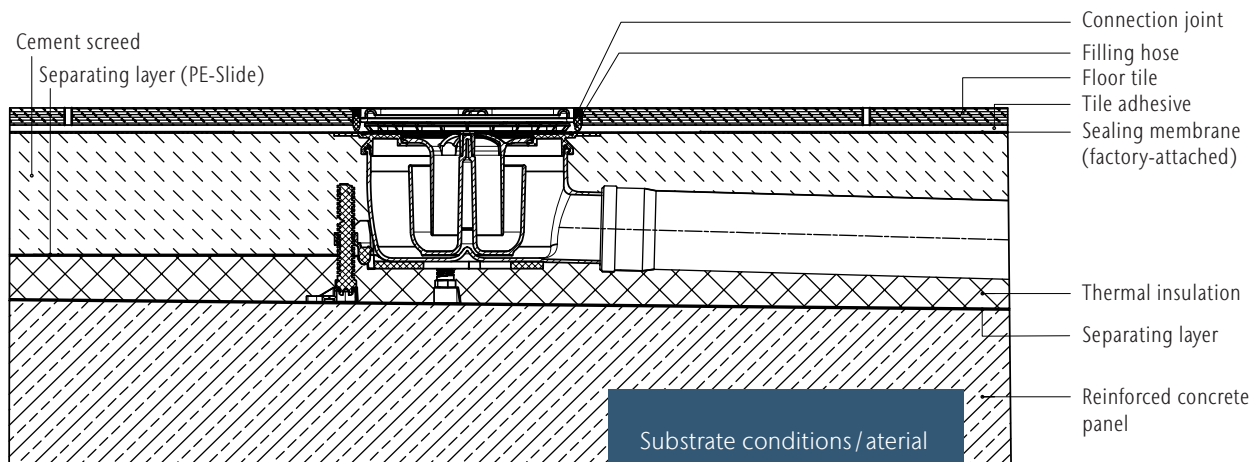
According to a German Federal Court of Justice ruling, VDI 4100 „Sound insulation in flats“ in the sound insulation levels SSt II and SSt III reflects the current requirements for flats in detached houses and apartment buildings as well as semi-detached and terraced houses. Some of the tested ACO sanitary gullies fall significantly below the required characteristic values and the increased sound insulation requirements for building services systems according to the German standard DIN 4109. The ACO sanitary gullies were acoustically tested at the Institute for Building Physics of the Fraunhofer Gesellschaft in Stuttgart, which is accredited by the DAP in accordance with EN ISO/ICE 17025.

 **Fraunhofer**
IBP

≤ **22** dB(A) 

Even in public areas, the increased requirements for sound protection must be met. The VDI 4100 „Sound Protection in Apartments“, in the sound protection classes SSt II and SSt III, regulates not only the current needs for apartments but also, for example, for hotels, clinics, or senior residences.

Installation example sanitary gully Easyflow+



Installation example for ACOW Sanitary Gully Easyflow+ WS50
 Floor construction with thermal insulation and filled without voids

Substrate conditions / aterial selection are to be planned based on the water expo- sure class

Installation heights

ACO Gully	Socket inclination gully	Water seal [mm]	H _{min} UFL [mm]	Adjustment range (UFL) with ACO installation aid [mm]	Recess [mm]
Easyflow+	90°	50	0	95* – 185	240 x 240
	1.5°	50	90	95 – 185	240 x 300
	1.5°	30	70	75 – 165	240 x 300
Easyflow	90°	50	0		200 x 200
	1.5°	50	102		260 x 200
	1.5°	30	82		260 x 200
MG	90°	50	0		120 x 280
	1.5°	50	96		120 x 310
	1.5°	30	76		120 x 310
	1.5°	25	52		120 x 380

*for floor construction starting from 95 mm without a recess for the drainage body



Product Overview

Sanitary Gullies



ACO Sanitary Gully Easyflow+

with installation aid and factory-attached sealing membrane

20



ACO Sanitary Gully Easyflow

with fire protection

25



ACO Sanitary Gully MG

minimum installation height, maximum flexibility thanks to the modular system

35



ACO Passino

the Renovation Gully

37

ACO Sanitary Gully Easyflow+

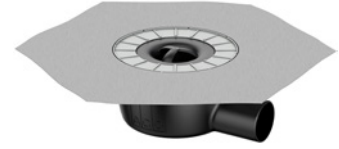
Single gully – ND 50

ACO product benefits

- Minimal installation height: 70 mm
- Designed for different tile heights
- Choice of different top sections and grating sizes
- Flexible adaption to the tile layout

Product information

- Material: Plastic
- Socket version: ND 50
- Flow rates according to EN 1253-1:
 - 0.9 l/s (WS50 with 20 mm build-up)
 - 0.7 l/s (WS50 with 10 mm build-up)
 - 0.8 l/s (WS30 with 20 mm build-up)
 - 0.6 l/s (WS30 with 10 mm build-up)
- Foul air trap: one-piece, removable
- Incl. protective top cover
- Height adjustability: stepwise height adjustable
- Supplementary components:
 - Odour stop



Order information

Product image	Dimensioned drawing	Description	Recess [mm]	Flow rate [l/s]	Article no.
Without lateral inlet					
		<ul style="list-style-type: none"> ■ Standard ■ Socket inclination: 90° ■ Water seal: 50 mm ■ With foul air trap 	240 x 240	1.1	2019.50.91
		<ul style="list-style-type: none"> ■ Flatline ■ Socket inclination: 1.5° ■ Water seal: 30 mm ■ With foul air trap 	240 x 300	0.8	2015.30.91
		<ul style="list-style-type: none"> ■ Standard ■ Socket inclination: 1.5° ■ Water seal: 50 mm ■ With foul air trap 	240 x 300	0.9	2015.50.91
With lateral inlet					
		<ul style="list-style-type: none"> ■ Flatline ■ Socket inclination: 1.5° ■ Water seal: 30 mm ■ With foul air trap 	240 x 330	0.8	2515.30.91
		<ul style="list-style-type: none"> ■ Standard ■ Socket inclination: 1.5° ■ Water seal: 50 mm ■ With foul air trap 	240 x 330	0.9	2515.50.91

ACO Sanitary Gully Easyflow+

Single gully with odour stop – ND 50

ACO product benefits

- Minimal installation height: 70 mm
- Designed for different tile heights
- Choice of different top sections and grating sizes
- Flexible adaption to the tile layout

Product information

- Material: Plastic
- Socket version: ND 50
- Flow rates according to EN 1253-1:
 - Foul air trap with odor stop reduces the flow rate
- Foul air trap: one-piece, removable
- Incl. protective top cover
- Height adjustability: stepwise height adjustable



Order information

Product image	Dimensioned drawing	Description	Recess [mm]	Flow rate [l/s]	Article no.
Without lateral inlet					
		<ul style="list-style-type: none"> ■ Standard ■ Socket inclination: 90° ■ Water seal: 50 mm ■ With foul air trap 	240 x 240	0.9	2019.50.15
		<ul style="list-style-type: none"> ■ Flatline ■ Socket inclination: 1.5° ■ Water seal: 30 mm ■ With foul air trap 	240 x 300	0.5	2015.30.15
		<ul style="list-style-type: none"> ■ Standard ■ Socket inclination: 1.5° ■ Water seal: 50 mm ■ With foul air trap 	240 x 300	0.5	2015.50.15
With lateral inlet					
		<ul style="list-style-type: none"> ■ Flatline ■ Socket inclination: 1.5° ■ Water seal: 30 mm ■ With foul air trap 	240 x 330	0.5	2515.30.15
		<ul style="list-style-type: none"> ■ Standard ■ Socket inclination: 1.5° ■ Water seal: 50 mm ■ With foul air trap 	240 x 330	0.5	2515.50.15

ACO Sanitary Gully Easyflow+

Complete Gully – ND 50

ACO product benefits

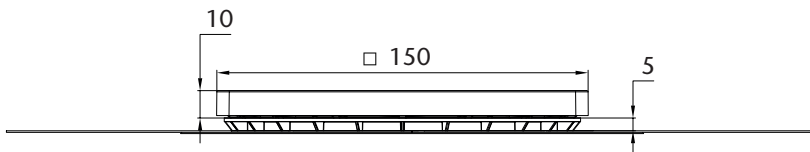
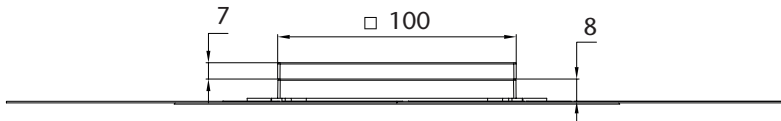
- Minimal installation height: 70 mm
- Designed for different tile heights
- Choice of different top sections and grating sizes
- Flexible adaption to the tile layout

Product information


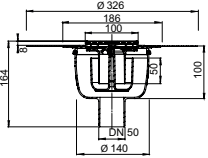

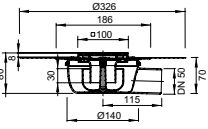

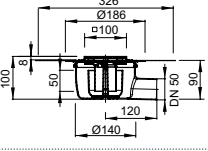

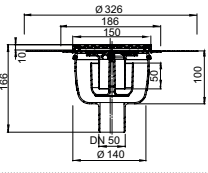

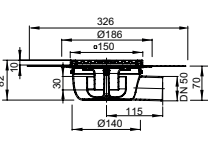

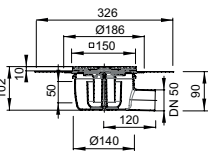

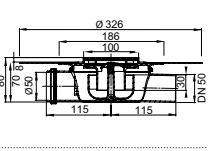

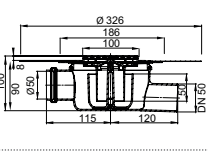

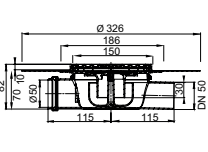

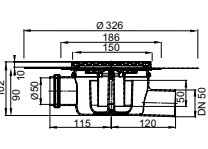
- Material: Plastic
- Socket version: ND 50
- Flow rates according to EN 1253-1:
 - 0.9 l/s (WS50 with 20 mm build-up)
 - 0.7 l/s (WS50 with 10 mm build-up)
 - 0.8 l/s (WS30 with 20 mm build-up)
 - 0.6 l/s (WS30 with 10 mm build-up)
- Foul air trap: one-piece, removable
- Incl. protective top cover
- Height adjustability:
 - Stepwise height adjustable
 - Includes 1 height adjustable ring
- With top section, made of plastic
- With grating, made of stainless steel
 - Load class: K3
- Supplementary components:
 - Odour stop



Height adjustment top section



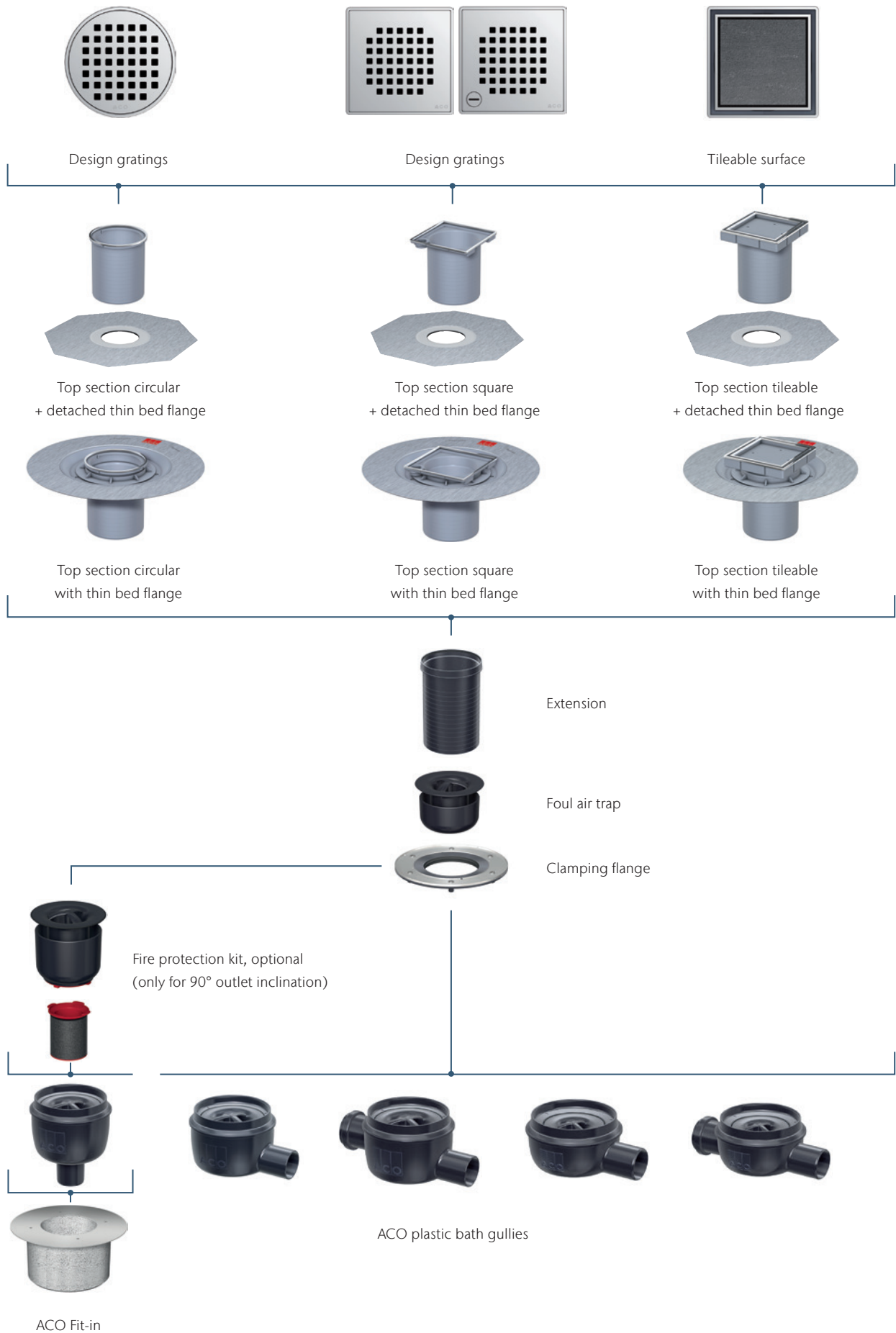
Order information

Product image	Dimensioned drawing	Grating	Description	Recess [mm]	Article no.
Without lateral inlet					
		<ul style="list-style-type: none"> ■ Frame, made of plastic ■ Slot grating ■ Stainless steel ■ 100 x 100 mm ■ Loosely inserted 	<ul style="list-style-type: none"> ■ Standard ■ Socket inclination: 90° ■ Water seal: 50 mm ■ With foul air trap 	240 x 240	2019.50.91
		<ul style="list-style-type: none"> ■ Frame, made of plastic ■ Slot grating ■ Stainless steel ■ 100 x 100 mm ■ Loosely inserted 	<ul style="list-style-type: none"> ■ Flatline ■ Socket inclination: 1.5° ■ Water seal: 30 mm ■ With foul air trap 	240 x 300	2015.30.91
		<ul style="list-style-type: none"> ■ Frame, made of plastic ■ Slot grating ■ Stainless steel ■ 100 x 100 mm ■ Loosely inserted 	<ul style="list-style-type: none"> ■ Standard ■ Socket inclination: 1.5° ■ Water seal: 50 mm ■ With foul air trap 	240 x 300	2015.50.91
		<ul style="list-style-type: none"> ■ Frame, made of plastic ■ Slot grating ■ Stainless steel ■ 150 x 150 mm ■ Loosely inserted 	<ul style="list-style-type: none"> ■ Standard ■ Socket inclination: 90° ■ Flow rate: 1.1 ■ Water seal: 50 mm ■ With foul air trap 	240 x 240	2019.55.91
		<ul style="list-style-type: none"> ■ Frame, made of plastic ■ Slot grating ■ Stainless steel ■ 150 x 150 mm ■ Loosely inserted 	<ul style="list-style-type: none"> ■ Flatline ■ Socket inclination: 1.5° ■ Flow rate: 0.8 ■ Water seal: 30 mm ■ With foul air trap 	240 x 300	2015.35.91
		<ul style="list-style-type: none"> ■ Frame, made of plastic ■ Slot grating ■ Stainless steel ■ 150 x 150 mm ■ Loosely inserted 	<ul style="list-style-type: none"> ■ Standard ■ Socket inclination: 1.5° ■ Flow rate: 0.9 ■ Water seal: 50 mm ■ With foul air trap 	240 x 300	2015.55.91
With lateral inlet					
		<ul style="list-style-type: none"> ■ Frame, made of plastic ■ Slot grating ■ Stainless steel ■ 100 x 100 mm ■ Loosely inserted 	<ul style="list-style-type: none"> ■ Flatline ■ Socket inclination: 1.5° ■ Flow rate: 0.8 ■ Water seal: 30 mm ■ With foul air trap 	240 x 330	2515.31.91
		<ul style="list-style-type: none"> ■ Frame, made of plastic ■ Slot grating ■ Stainless steel ■ 100 x 100 mm ■ Loosely inserted 	<ul style="list-style-type: none"> ■ Standard ■ Socket inclination: 1.5° ■ Flow rate: 0.9 ■ Water seal: 50 mm ■ With foul air trap 	240 x 330	2515.51.91
		<ul style="list-style-type: none"> ■ Frame, made of plastic ■ Slot grating ■ Stainless steel ■ 150 x 150 mm ■ Loosely inserted 	<ul style="list-style-type: none"> ■ Flatline ■ Socket inclination: 1.5° ■ Flow rate: 0.8 ■ Water seal: 30 mm ■ With foul air trap 	240 x 330	2515.35.91
		<ul style="list-style-type: none"> ■ Frame, made of plastic ■ Slot grating ■ Stainless steel ■ 150 x 150 mm ■ Loosely inserted 	<ul style="list-style-type: none"> ■ Standard ■ Socket inclination: 1.5° ■ Flow rate: 0.9 ■ Water seal: 50 mm ■ With foul air trap 	240 x 330	2515.55.91

Zubehör

Product image	Dimensioned drawing	Bezeichnung	Passend für	Description	Article no.
		Replacement foul air trap	<ul style="list-style-type: none"> ■ Sanitary gullies Easyflow □ ND 50 	<ul style="list-style-type: none"> ■ Prevents unpleasant smells from the sewage system ■ Water seal: 50 mm ■ for retrofitting 	2000.00.06
		Replacement foul air trap	<ul style="list-style-type: none"> ■ Sanitary gullies Easyflow □ ND 70 □ ND 100 	<ul style="list-style-type: none"> ■ Prevents unpleasant smells from the sewage system ■ Water seal: 50 mm ■ for retrofitting 	2000.00.05
		Top section with grating	<ul style="list-style-type: none"> ■ ACO Sanitary Gully Easyflow+ 	<ul style="list-style-type: none"> ■ Top section, made of plastic ■ Slot grating, made of stainless steel ■ 100 x 100 mm ■ Load class: K3 	2019.01.00
		Height adjustable ring	<ul style="list-style-type: none"> ■ ACO Sanitary Gully Easyflow+ □ For top section 100 x 100 mm 	<ul style="list-style-type: none"> ■ Height adjustable ring, made of plastic ■ For frame 100 x 100 mm ■ Height adjustment = 7 mm 	2019.01.15
		Top section with grating	<ul style="list-style-type: none"> ■ ACO Sanitary Gully Easyflow+ 	<ul style="list-style-type: none"> ■ Top section, made of plastic ■ Slot grating, made of stainless steel ■ 150 x 150 mm ■ Load class: K3 	2019.05.00
		Height adjustable ring	<ul style="list-style-type: none"> ■ ACO Sanitary Gully Easyflow+ □ For top section 150 x 150 mm 	<ul style="list-style-type: none"> ■ Height adjustable ring, made of plastic ■ For frame 150 x 150 mm ■ Height adjustment = 5 mm 	2019.05.15
		Top section for design gratings	<ul style="list-style-type: none"> ■ ACO Sanitary Gully Easyflow+ (see p. 31) 	<ul style="list-style-type: none"> ■ Top section, made of plastic ■ Frame, made of stainless steel ■ 140 x 140 mm 	5141.80.10
		ACO installation aid	<ul style="list-style-type: none"> ■ ACO Sanitary Gully Easyflow+ 	<ul style="list-style-type: none"> ■ Plastic ■ Height adjustment for gullies WS30: 75 – 165 mm ■ Height adjustment for gullies WS50: 95 – 185 mm ■ Incl. mounting material 	2019.10.99

Modular system for ACO sanitary gullies Easyflow



ACO sanitary gullies Easyflow

ACO product benefits


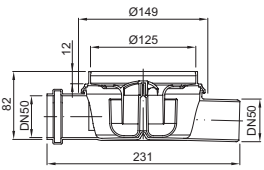

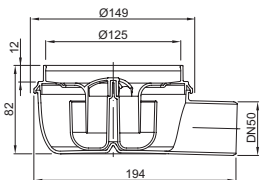
- Meet requirements of EN 1253-1
- Range designed for different tile thicknesses and floor structure heights
- Height-adjustable top sections
- Incl. installation cover
- Optimum pipeline access after removal of foul air trap
- Retrofittable fire protection AbZ: Z-19.17-2159 (german certificate)

Product information

- Material: Plastic
- Outlet: Suitable for all push-fit pipe outlet systems
- Flow rates:
 - ND 50 = 1.0 l/s (20 mm build-up as per EN 1253-1)
 - ND 70 = 1.6 l/s (20 mm build-up as per EN 1253-1)
 - ND 100 = 1.6 l/s (20 mm build-up as per EN 1253-1)
- Foul air trap: Removable
- Gully body flange type: Clamping flange which can be retrofitted as an option
- Mounting: Ready for installation
- Grating variants:
 - Stainless steel (round or square)
 - Tileable
- Retrofittable upgrades:
 - Fire protection
 - Dry foul air trap



Order data, sanitary gullies Easyflow

Product	Dimensioned drawing	Description	Recess [mm]	Flow rate [l/s]	Article no.
Nominal width: ND 50, Flatline					
		<ul style="list-style-type: none"> ■ With lateral inlet ■ Water seal: 30 mm 	200 x 330	0.8	2505.00.00
		<ul style="list-style-type: none"> ■ Without lateral inlet ■ Water seal: 30 mm 	200 x 260	0.8	2505.05.00

Order data, sanitary gullies Easyflow


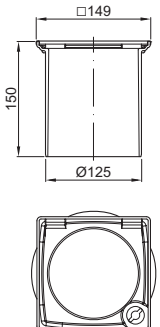

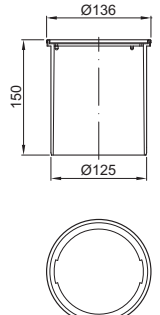
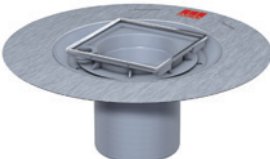
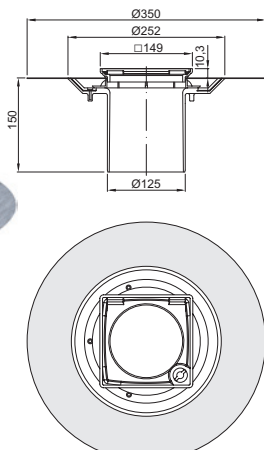
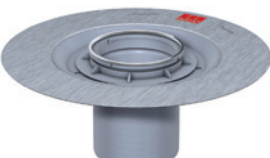
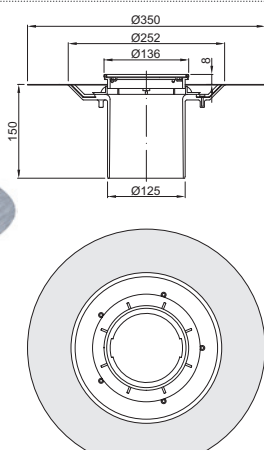
Product	Dimensioned drawing	Version	Recess	Flow rate	Article no.
			[mm]	[l/s]	
Nominal width: ND 50, Standard*					
		<ul style="list-style-type: none"> ■ Without lateral inlet ■ Water seal: 50 mm 	200 x 200	1.5	2500.55.00
		<ul style="list-style-type: none"> ■ Without lateral inlet ■ Water seal: 50 mm 	200 x 260	1.0	2500.05.00
		<ul style="list-style-type: none"> ■ With lateral inlet ■ Water seal: 50 mm 	200 x 330	1.0	2500.00.00
Nominal width: ND 70, Standard*					
		<ul style="list-style-type: none"> ■ Without lateral inlet ■ Water seal: 50 mm 	200 x 200	1.6	2710.00.00
Nominal width: ND 100, Standard*					
		<ul style="list-style-type: none"> ■ Without lateral inlet ■ Water seal: 50 mm 	200 x 200	1.6	2810.00.00
Nominal width: ND 70/ND 100, Standard*					
		<ul style="list-style-type: none"> ■ Without lateral inlet ■ Water seal: 50 mm 	200 x 310	1.6	2700.05.00
		<ul style="list-style-type: none"> ■ With lateral inlet ■ Water seal: 50 mm 	200 x 350	1.6	2700.00.00

* Certified to EN 1253-1


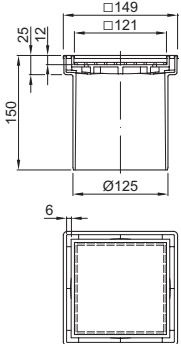
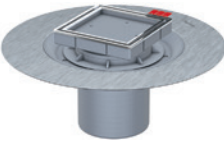
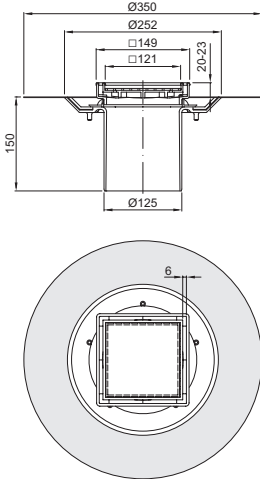
Top sections including gratings

Product image	Dimensioned drawing	Version [mm]	Height adjustment [mm]	Description	Article no.
Standard configuration					
		<ul style="list-style-type: none"> ■ Frame <ul style="list-style-type: none"> □ Stainless steel □ 149 x 149 ■ Slot grating <ul style="list-style-type: none"> □ Stainless steel □ 140 x 140 □ K 3 	18 – 135	<ul style="list-style-type: none"> ■ Loosely inserted 	5141.22.00
				<ul style="list-style-type: none"> ■ Lockable 	5141.23.00
		<ul style="list-style-type: none"> ■ Frame <ul style="list-style-type: none"> □ Stainless steel □ Ø 136 ■ Slot grating <ul style="list-style-type: none"> □ Stainless steel □ Ø 127 □ K 3 	18 – 135	<ul style="list-style-type: none"> ■ Loosely inserted 	5141.25.00
For compound sealing					
		<ul style="list-style-type: none"> ■ Frame <ul style="list-style-type: none"> □ Stainless steel □ 148 x 148 ■ Slot grating <ul style="list-style-type: none"> □ Stainless steel □ 140 x 140 □ K 3 	36 – 135	<ul style="list-style-type: none"> ■ Loosely inserted 	5141.29.00
				<ul style="list-style-type: none"> ■ lockable 	5141.30.00
		<ul style="list-style-type: none"> ■ Frame <ul style="list-style-type: none"> □ Stainless steel □ Ø 136 ■ Slot grating <ul style="list-style-type: none"> □ Stainless steel □ Ø 127 □ K 3 	36 – 135	<ul style="list-style-type: none"> ■ Loosely inserted 	5141.32.00
















Top sections for design gratings

Product image	Dimensioned drawing	Version [mm]	Height adjustment [mm]	Description [mm]	Article no.
		<ul style="list-style-type: none"> ■ Frame □ Stainless steel □ 149 x 149 	18 – 135	<ul style="list-style-type: none"> ■ For design gratings ■ Lockable ■ Loosely inserted ■ Grating size: 140 x 140 	5141.43.00
		<ul style="list-style-type: none"> ■ Frame □ Stainless steel □ Ø 136 	8 – 135	<ul style="list-style-type: none"> ■ For circular design gratings ■ Lockable ■ Loosely inserted ■ Grating diameter : Ø127 	5141.46.00
		<ul style="list-style-type: none"> ■ Frame □ Stainless steel □ 149 x 149 	36 – 135	<ul style="list-style-type: none"> ■ For design gratings ■ Lockable ■ Loosely inserted ■ Grating size: 140 x 140 	5141.48.00
		<ul style="list-style-type: none"> ■ Frame □ Stainless steel □ Ø 136 	36 – 135	<ul style="list-style-type: none"> ■ For circular design gratings ■ Lockable ■ Loosely inserted ■ Grating diameter : Ø127 	5141.42.00

Top sections for choice of surface

Product image	Dimensioned drawing	Version [mm]	Height adjustment [mm]	Description	Article no.
		<ul style="list-style-type: none"> ■ Frame □ Stainless steel □ 149 x 149 ■ Internal size □ 121 x 121 	26 – 135	<ul style="list-style-type: none"> ■ For choice of surface ■ With stainless steel frame ■ Surrounding inlet slot 6 mm ■ Eroded ■ Depth 11.5 mm0 	5141.24.00
		<ul style="list-style-type: none"> ■ Frame □ Stainless steel □ 149 x 149 ■ Internal size □ 121 x 121 	36 – 135	<ul style="list-style-type: none"> ■ For choice of surface ■ Surrounding inlet slot 6 mm ■ Eroded ■ Depth 11.5 mm 	5141.31.00

Stainless steel design gratings

Product image	Description	Article no.	Product image	Description	Article no.
Design grating Quadrato			Design grating Hawaii		
	<ul style="list-style-type: none"> ■ Lockable ■ Load class K3 ■ Grating 140 x 140 mm 	5141.21.22		<ul style="list-style-type: none"> ■ Lockable ■ Load class K3 ■ Grating 140 x 140 mm 	5141.21.29
	<ul style="list-style-type: none"> ■ Loosely inserted ■ Load class K3 ■ Grating 140 x 140 mm 	5141.08.22		<ul style="list-style-type: none"> ■ Loosely inserted ■ Load class K3 ■ Grating 140 x 140 mm 	5141.20.29
	<ul style="list-style-type: none"> ■ Loosely inserted ■ Load class K3 ■ Ø 126 mm 	5141.25.22		<ul style="list-style-type: none"> ■ Loosely inserted ■ Load class K3 ■ Ø 126 mm 	5141.25.29
Design grating Forest			Design grating Mix		
	<ul style="list-style-type: none"> ■ Lockable ■ Load class K3 ■ Grating 140 x 140 mm 	5141.21.26		<ul style="list-style-type: none"> ■ Lockable ■ Load class K3 ■ Grating 140 x 140 mm 	5141.21.30
	<ul style="list-style-type: none"> ■ Loosely inserted ■ Load class K3 ■ Grating 140 x 140 mm 	5141.20.26		<ul style="list-style-type: none"> ■ Loosely inserted ■ Load class K3 ■ Grating 140 x 140 mm 	5141.20.30
	<ul style="list-style-type: none"> ■ Loosely inserted ■ Load class K3 ■ Ø 126 mm 	5141.25.26		<ul style="list-style-type: none"> ■ Loosely inserted ■ Load class K3 ■ Ø 126 mm 	5141.25.30
Design grating Wave					
	<ul style="list-style-type: none"> ■ Lockable ■ Load class K3 ■ Grating 140 x 140 mm 	5141.21.28			
	<ul style="list-style-type: none"> ■ Loosely inserted ■ Load class K3 ■ Grating 140 x 140 mm 	5141.08.28			
	<ul style="list-style-type: none"> ■ Loosely inserted ■ Load class K3 ■ Ø 126 mm 	5141.25.28			

ACO Easyflow

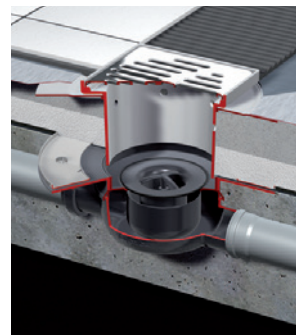
Complete Gullies – ND 50

ACO product benefits


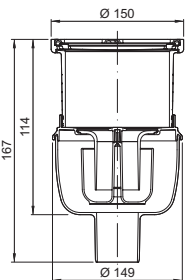

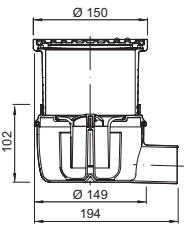

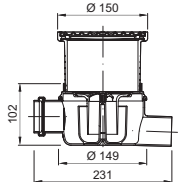
- Minimum floor structure height: 89 mm
- Retrofittable clamping flange
- Optimum cleaning option
- Height adjustable top sections
- With protective cover

Product information


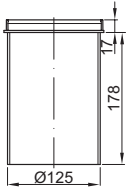
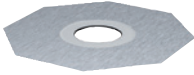
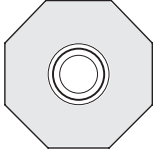

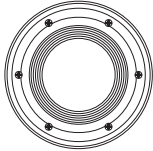

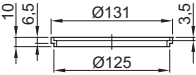


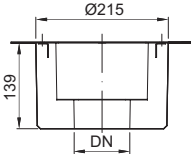
- Made of plastic
- Tested according to EN 1253-1
- With removable foul air trap
- With integrated sealing to seal the gap between gully body and top section
- With top sections, made of plastic
- Optional accessories:
 - Fire protection set
 - Odour stop
 - Installation set Fit-In



Order information

Product image	Dimensioned drawing	Description	Height adjustment [mm]	Recess/ Core drilling [mm]	Flow rate [l/s]	Article no.
		<ul style="list-style-type: none"> ■ Socket inclination: 90° ■ ND 50 ■ Standard ■ Without lateral inlet ■ Water seal: 50 mm 	15 – 96	200 x 200/ 170	1.5	2500.55.77
		<ul style="list-style-type: none"> ■ Socket inclination: 1.5° ■ ND 50 ■ Standard ■ Without lateral inlet ■ Water seal: 50 mm 	15 – 96	200 x 260	1.0	2500.05.77
		<ul style="list-style-type: none"> ■ Socket inclination: 90° ■ ND 50 ■ Standard ■ With lateral inlet ■ Water seal: 50 mm 	15 – 96	200 x 330	1.0	2500.00.77

Order data, accessories

Product	Dimensional drawing	Designation	Suitable for	Description	Article no.	
		Extension	<ul style="list-style-type: none"> ■ All sanitary gullies Easyflow ■ Top sections ■ Outlet diameter: 125 mm 	<ul style="list-style-type: none"> ■ Made from plastic ■ Suitable for accommodating plastic top sections and clamping flanges ■ With lip seal ■ For deeper installation of bath gullies 	2040.00.00	
		Thin bed flange	<ul style="list-style-type: none"> ■ All sanitary gullies EasyFlow top sections with outlet diameter: 125 mm 	<ul style="list-style-type: none"> ■ Plastic flange with sprayed-on fleece ■ Suitable for accommodating liquid sealants added on site using thin bed process 	2040.00.01	
		Press seal flange	<ul style="list-style-type: none"> ■ All sanitary gullies Easyflow 	<ul style="list-style-type: none"> ■ Plastic flange ■ Loose flange made from stainless steel ■ Suitable for accommodating layer sealing foil added on site for point drainage 	2040.00.02	
		Top section made of plastic	<ul style="list-style-type: none"> ■ Top section made of plastic □ 5141.29.00 – 5141.32.00 □ 5141.42.00 □ 5141.48.00 	<ul style="list-style-type: none"> ■ Plastic ■ For height adjustment □ First ring: 11 mm □ For each further ring: 6 mm 	5141.30.15	
		Hair strainer	<ul style="list-style-type: none"> ■ Top sections □ 5141.22.xx □ 5141.23.xx □ 5141.29.xx □ 5141.30.xx 	<ul style="list-style-type: none"> ■ Made from plastic 	5141.00.19	
		Fit-in installation kit	<ul style="list-style-type: none"> ■ Sanitary gullies Easyflow ■ Outlet inclination: 90° 	<ul style="list-style-type: none"> ■ Not inflammable according to building material class A1 ■ For installation without mortar in core bores: 225 mm ■ With/without fire protection kit ■ Fit-in dimensions □ Ø 215 mm □ Height: 139 mm 	<ul style="list-style-type: none"> ■ ND 50 ■ ND 70 ■ ND 100 	<ul style="list-style-type: none"> 9390.08.40 9390.08.41 9390.08.42

Order data, accessories

Product	Dimensional drawing	Designation	Suitable for	Description	Article no.
		Fire protection kit	<ul style="list-style-type: none"> ■ Sanitary gullies Easyflow □ ND 50 □ Outlet inclination: 90° 	<ul style="list-style-type: none"> ■ Fire and smoke trap for retrofittable fire protection of gully bodies Easyflow ■ Water seal: 50 mm 	2520.00.00
		Fire protection kit	<ul style="list-style-type: none"> ■ Sanitary gullies Easyflow □ ND 70 □ Outlet inclination: 90° 	<ul style="list-style-type: none"> ■ Fire and smoke trap for retrofittable fire protection of gully bodies Easyflow ■ Water seal: 50 mm 	2720.00.00
		Fire protection kit	<ul style="list-style-type: none"> ■ Sanitary gullies Easyflow □ ND 100 □ Outlet inclination: 90° 	<ul style="list-style-type: none"> ■ Fire and smoke trap for retrofittable fire protection of gully bodies Easyflow ■ Water seal: 50 mm 	2820.00.00
		Replacement foul air trap	<ul style="list-style-type: none"> ■ Sanitary gullies Easyflow Flatline □ ND 50 	<ul style="list-style-type: none"> ■ Prevents unpleasant smells from the sewage system ■ Water seal: 30 mm ■ For retrofitting 	2000.00.05
		Replacement foul air trap	<ul style="list-style-type: none"> ■ Sanitary gullies Easyflow □ ND 50 	<ul style="list-style-type: none"> ■ Prevents unpleasant smells from the sewage system ■ Water seal: 50 mm ■ For retrofitting 	2000.00.06
		Replacement foul air trap	<ul style="list-style-type: none"> ■ Sanitary gullies Easyflow □ ND 70 □ ND 100 	<ul style="list-style-type: none"> ■ Prevents unpleasant smells from the sewage system ■ Water seal: 50 mm ■ For retrofitting 	2000.00.07

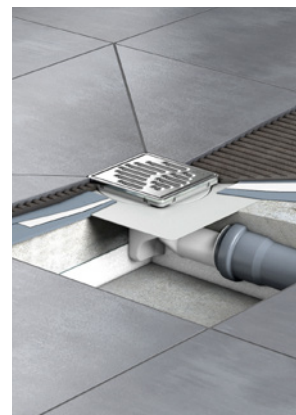
ACO sanitary gullies MG

ACO product benefits


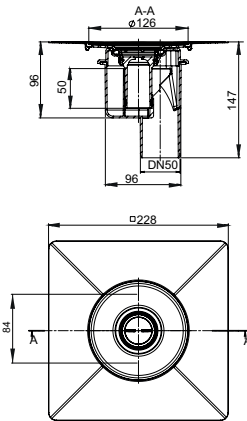

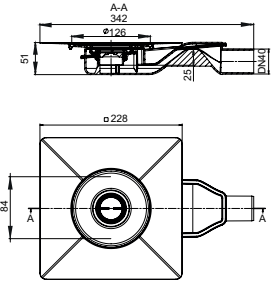
- Complete system
- Fulfills the requirements of EN 1253-1
- Minimum installation height
- Flange for connecting the composite seal
 - 50 mm
 - Rough surface
- Optimum pipe cleaning access

Product information

- Material: Plastic (gully), stainless steel (frame and grating)
- Load class: K3
- Flow rate:
 - 0.4 l/s (with 10 mm build-up)
 - 0.46 l/s (with 20 mm build-up as per EN 1253-1)
- Foul air trap: One-piece with removable submersible pipe
- Suitable for: Tile thickness min. 6 mm
- Mounting: Ready for installation
- Flange: With surrounding sealing flange 50 mm
- Outlet: Suitable for all push-fit pipe outlet systems



Order data, gully body

Product	Dimensional drawing	Description	Article no.
		<ul style="list-style-type: none"> ■ ND 50 ■ Water seal: 50 mm ■ According to EN 12533-1 	2259.50.00
		<ul style="list-style-type: none"> ■ ND 40 ■ Water seal: 25 mm ■ Installation height: 52 mm 	2245.25.00

*Height adjustment possible with height adjustment ring 5141.30.15

Product	Dimensioned drawing	Description	Article no.
		<ul style="list-style-type: none"> ■ ND 40/50 ■ Water seal: 30 mm ■ Installation height: 76 mm 	2245.30.00
		<ul style="list-style-type: none"> ■ ND 40/50 ■ Water seal: 50mm ■ Installation height: 96 mm ■ According to EN 1253-1 	2245.50.00
Top sections and frames			
		<ul style="list-style-type: none"> ■ ACO top section 100 x 100 mm ■ Stainless steel frame and grating ■ Incl. height adjustable ring (7 mm) 	9010.68.06
		<ul style="list-style-type: none"> ■ ACO top section 150 x 150 mm ■ Stainless steel frame and grating ■ Incl. height adjustable ring (6 mm) 	9010.68.07
		<ul style="list-style-type: none"> ■ Square top section ■ Made of plastic ■ Stainless steel frame, height 26 mm ■ 149 x 149 mm ■ For choice of surface 	620477
		<ul style="list-style-type: none"> ■ Round top section for design gratings ■ Made of plastic ■ Stainless steel frame ■ Ø 136 mm 	620476
		<ul style="list-style-type: none"> ■ Square top section for design gratings ■ Made of plastic ■ Stainless steel frame ■ 149 x 149 mm 	620498

Height adjustment possible with height adjustment ring 5141.30.15

ACO sanitary gullies Passino

Product benefits


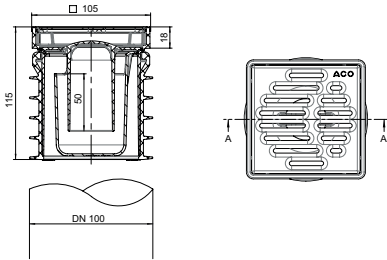

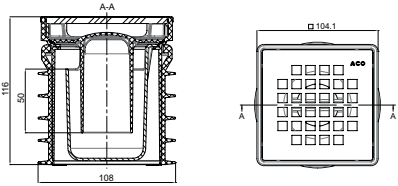
- Refurbishment
- Compact complete system
- Fits to pipe without socket
- Optional flange for the composite seal
 - 50 mm
 - Rough surface
- Fast and easy installation

Product information

- Material:
 - Plastic (gully)
 - Stainless steel (frame and grating)
- Load Class: K3
- Outlet version: ND 100/ND 125
- Flow rate:
 - 0.83 l/s (with 20 mm build-up as per EN 1253-1)
- Foul air trap: 2-part, removeable
- Mounting: Ready for installation





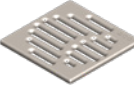
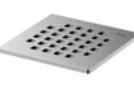


Order data, sanitary gullies Passino

Product	Dimensioned drawing	Description	Article no.
		<ul style="list-style-type: none"> ■ Water seal: 50 mm ■ ND 100 ■ Frame <ul style="list-style-type: none"> □ Stainless steel □ 105 x 105 mm ■ Grating <ul style="list-style-type: none"> □ Stainless steel □ 95 x 95 mm □ Load class: K3 	2310.87.00
		<ul style="list-style-type: none"> ■ Water seal: 50 mm ■ ND 100 ■ Frame <ul style="list-style-type: none"> □ Stainless steel □ 105 x 105 mm ■ Grating <ul style="list-style-type: none"> □ Stainless steel □ 95 x 95 mm □ Load class: L15 	2310.87.50

Product	Dimensioned drawing	Description	Article no.
Without flange			
		<ul style="list-style-type: none"> ■ Water seal: 50 mm ■ ND 125 ■ Frame <ul style="list-style-type: none"> □ Stainless steel □ 105 x 105 mm ■ Grating <ul style="list-style-type: none"> □ Stainless steel □ 95 x 95 mm □ Load class K3 	2325.87.00
		<ul style="list-style-type: none"> ■ Water seal: 50 mm ■ ND 125 ■ Frame <ul style="list-style-type: none"> □ Stainless steel □ 105 x 105 mm ■ Grating <ul style="list-style-type: none"> □ Stainless steel □ 95 x 95 mm □ Load class L15 	2325.87.50
With surrounding flange			
		<ul style="list-style-type: none"> ■ Water seal: 50 mm ■ ND 100 ■ Frame <ul style="list-style-type: none"> □ Stainless steel □ 105 x 105 mm ■ Grating <ul style="list-style-type: none"> □ Stainless steel □ 95 x 95 mm 	2310.91.00
		<ul style="list-style-type: none"> ■ Water seal: 50 mm ■ ND 125 ■ Frame <ul style="list-style-type: none"> □ Stainless steel □ 105 x 105 mm ■ Grating <ul style="list-style-type: none"> □ Stainless steel □ 95 x 95 mm 	2325.91.00

Order data, accessories

Product	Designation	Description	Article no.
	Sealing	■ ND 100	2310.10.26
	Sealing	■ ND 125	2325.10.26
	Foul Air Trap	■ Water seal: 50 mm	2375.10.50
	Frame	■ Stainless steel: 105 x 105 mm	2375.10.10
	Grating	■ Stainless steel: 95 x 95 mm ■ Load class K3	2375.10.20
	Grating Quadrato	■ Stainless steel: 95 x 95 mm ■ Load class L15	2375.22.20

ACO. we care for water

Intelligent drainage systems from ACO increasingly use smart technology to ensure that rainwater and wastewater are drained, or temporarily stored. With innovative separation and filter technology, we prevent water contamination. We accept the challenge of reusing water, and thus establishing a resource-saving cycle.

Add here your local address

